

HTS Series High-voltage ignition Transformer

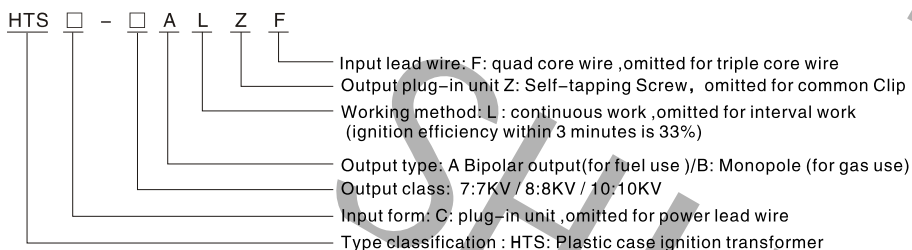
1. Outline:

HTS Series High-voltage ignition transformers are widely used in many installation's ignition such as small burners, fuel & gas burners, integrated burners, industrial combustion equipment etc.

2. Technical parameters:

	HTS-7	HTS□-8B	HTS□-10A
Input	Voltage: 220V/50Hz	Voltage: 220V/50Hz	Voltage: 220V/50Hz
	Current: ≤0.7A	Current: ≤1.1A	Current: ≤1.2A
Output	Voltage: ≥1x7KV or ≥2x4KV	Voltage: ≥1x8KV	Voltage: ≥2x5KV
	Current: ≥15mA	Current: ≥20mA	Current: ≥20mA
Outline dimension	92X70X57mm	110X86X68mm	110X86X68mm
Ignition distance	3~4mm	3~5mm	3~6mm
Ignition efficiency within 3 minutes	Interval time 20%	Interval time 33%	Interval time 33%
	Continuous -----	Continuous 100%	Continuous 100%
output type	Swingle polar、Bipolar	Swingle polar	Bipolar
output form	Lead wire	Lead wire/Plug-in unit	Lead wire/Plug-in unit
USE	Ignition of smaller burners ,fuel gas burners,integrated burners,industrial combustion equipment etc.		

3. Order description:

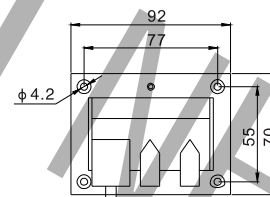
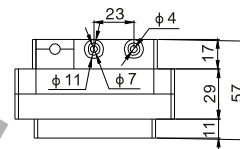


4. Product type table for chosen

Output voltage	Output type		Work type		Input form		Output form			Input lead wire	
	Swingle	Bipolar	Continuous	Interval time	Plug-in unit	Lead wire	Self-tapping	omitted for common	triple core wire	quad core wire	
7KV	√	√	X	√	X	√	√	√	√	√	
8KV	√	X	√	√	√	√	√	√	√	√	
10KV	X	√	√	√	√	√	X	√	√	X	

√: Optional

X: Not optional



Note: The double color wire must be well grounded when you use the transformers

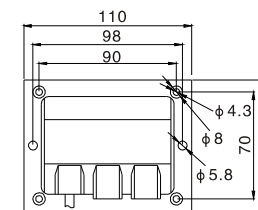
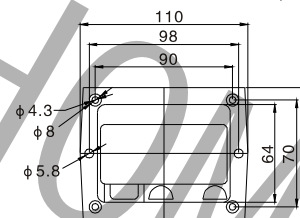
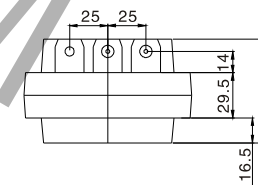
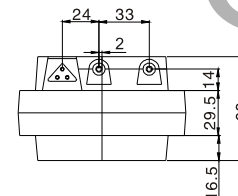
Technical parameters:

HTS-7A

Input: 220V, ≤0.7A, 50Hz
Output: ≥2x4KV, 15mA
Outline dimension: 92X70X57mm
Ignition distance: 3~4mm
Ignition efficiency within 3 minutes: 20%
Output plug-in unit: Self-tapping
Omitted for common

HTS-7B

Input: 220V, ≤0.7A, 50Hz
Output: ≥1x7KV, 15mA
Outline dimension: 92X70X57mm
Ignition distance: 3~4mm
Ignition efficiency within 3 minutes: 20%
Output plug-in unit: Self-tapping
Omitted for common



Note: The double color wire must be well grounded when you use the transformers

Technical parameters:

HTS-8B

Input: 220V, ≤1.1A, 50Hz
Output: ≥1x8KV, 20mA
Outline dimension: 110X86X68mm
Ignition distance: 3~5mm
Ignition efficiency within 3 minutes: 33%
100%

Input form: Plug-in unit
Lead wire
Output form: Self-tapping
Omitted for common

HTS-10A

Input: 220V, ≤1.2A, 50Hz
Output: ≥2x5KV, 20mA
Outline dimension: 110X86X68mm
Ignition distance: 3~6mm
Ignition efficiency within 3 minutes: 33%
Output form: Plug-in unit
Lead wire

HTS-10AL

Input: 220V, ≤0.6A, 50Hz
Output: ≥2x4KV, 15mA
Outline dimension: 110X86X68mm
Ignition distance: 3~6mm
Ignition efficiency within 3 minutes: 100%
Output form: Plug-in unit
Lead wire

HT Series High-voltage ignition Transformer

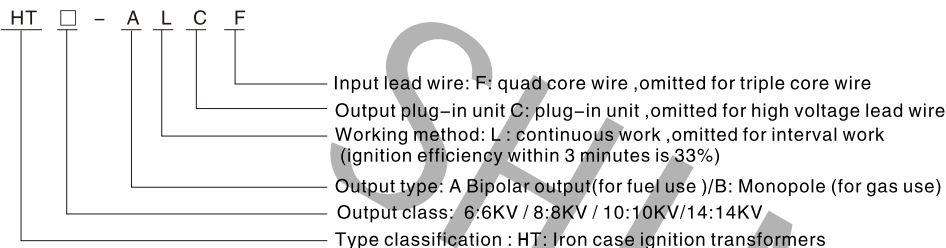
1. Outline:

HT Series high voltage ignition transformers are widely used in many kinds of installation's ignition such as kitchen equipment burners, small burners, fuel & gas burners, tunnel kiln burners, integrated burners, radiant tube burners, high velocity burners, industrial furnace etc.

2. Technical parameters:

	HT-6	HT-8	HT-10	HT-14
Input	Voltage: 220V/50Hz	Voltage: 220V/50Hz	Voltage: 220V/50Hz	Voltage: 220V/50Hz
	Current: ≤0.7A	Current: ≤1.1A	Current: ≤1.2A	Current: ≤1.8A
Output	Voltage: ≥1x6KV	Voltage: ≥1x8KV	Voltage: ≥2x5KV	Voltage: ≥2x7KV
	Current: ≥15mA	Current: ≥20mA	Current: ≥20mA	Current: ≥25mA
Outline dimension	82X69X67mm	100X92X73mm	100X92X73mm	100X92X73mm
Ignition distance	2~3mm	3~5mm	3~5mm	4~6mm
Ignition efficiency within 3 minutes	Interval time 33%	Interval time 33%	Interval time 33%	Interval time 25%
	Continuous -----	Continuous 100%	Continuous 100%	Continuous -----
output type	Swingle polar、Bipolar	Swingle polar、Bipolar	Bipolar	Bipolar
output form	Lead wire/Plug-in unit	Lead wire/Plug-in unit	Lead wire/Plug-in unit	Lead wire/Plug-in unit
USE	many kinds of installation's ignition such as kitchen equipment burners, small burners, fuel & gas burners, tunnel kiln burners	Ignition of smaller burners, fuel gas burners, integrated burners, industrial combustion equipment etc.		

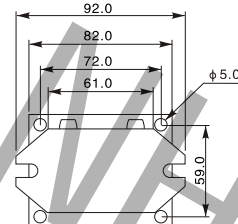
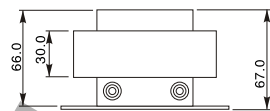
3. Order description:



4. Product type table for chosen

Output voltage	Output type		Work type		Output form		Input lead wire	
	Swingle	Bipolar	Continuous	Interval time	Plug-in unit	Lead wire	triple core wire	quad core wire
6KV	✓	✓	x	✓	✓	✓	✓	✓
8KV	✓	x	✓	✓	✓	✓	✓	✓
10KV	x	✓	✓	✓	✓	✓	✓	✓
14KV	x	✓	x	✓	✓	✓	✓	x

✓: Optional x: Not optional

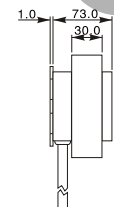
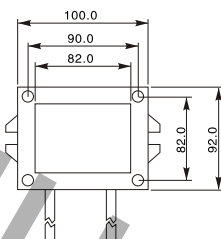


Note: The double color wire must be well grounded when you use the transformers

Technical parameters:

HT-6A□□
 Input: 220V, ≤0.7A, 50Hz
 Output: ≥6KV, 15mA
 Outline dimension: 82X69X67mm
 Ignition distance: 2~3mm
 Ignition efficiency within 3 minutes: 33%
 Output form: Plug-in unit
 Lead wire

HT-6B□□
 Input: 220V, ≤0.7A, 50Hz
 Output: ≥6KV, 15mA
 Outline dimension: 82X69X67mm
 Ignition distance: 2~3mm
 Ignition efficiency within 3 minutes: 33%
 Output form: Plug-in unit
 Lead wire

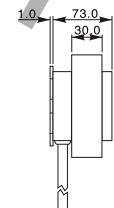
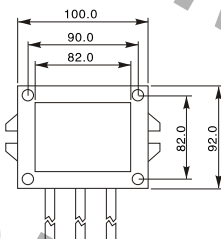


Technical parameters:

HT-8A□□□
 Input: 220V, ≤1.1A, 50Hz
 Output: ≥1x8KV, 20mA
 Outline dimension: 100X92X73mm
 Ignition distance: 3~5mm
 Ignition efficiency within 3 minutes: 33%/100%
 Input form: Plug-in unit
 Lead wire

HT-8B□□□
 Input: 220V, ≤1.1A, 50Hz
 Output: ≥1x8KV, 20mA
 Outline dimension: 100X92X73mm
 Ignition distance: 3~5mm
 Ignition efficiency within 3 minutes: 33%/100%
 Input form: Plug-in unit
 Lead wire

Note: The double color wire must be well grounded when you use the transformers



Technical parameters:

HT-10A□□□
 Input: 220V, ≤1.2A, 50Hz
 Output: ≥2x5KV, 20mA
 Outline dimension: 100X92X73mm
 Ignition distance: 3~5mm
 Ignition efficiency within 3 minutes: 33%/100%
 Input form: Plug-in unit
 Lead wire

HT-14A□
 Input: 220V, ≤1.8A, 50Hz
 Output: ≥2x7KV, 25mA
 Outline dimension: 100X92X73mm
 Ignition distance: 4~6mm
 Ignition efficiency within 3 minutes: 25%
 Input form: Plug-in unit
 Lead wire

Note: The double color wire must be well grounded when you use the transformers

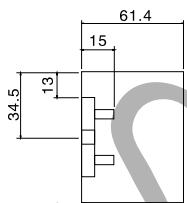
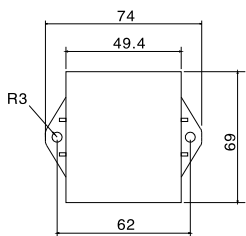
Electronic series high voltage ignition transformers

1. Outline:

Electronic series high voltage ignition transformers are widely used in many installations such as Auto heater, ignition of kitchen equipment, fuel & gas heater etc.

2. Technical parameters:

	HT-12	□□-12	□□-24
Input	Voltage: 220V/50Hz	Voltage: 12V/DC	Voltage: 24V/DC
	Current: ≤0.2A	Current: ≤3A	Current: ≤1.5A
Output	Voltage: ≥1x12KV	Voltage: ≥1x14KV	Voltage: ≥1x15KV
	Current: ≥10mA	Current: ≥10mA	Current: ≥10mA
Outline dimension	70X52X61mm	83X74X37mm	110X62X60mm 95X80X62mm 83X74X37mm
Ignition distance	3~5mm	3~5mm	3~6mm
Ignition efficiency within 3 minutes	Interval time 33%	Interval time 33%	Interval time 33%
	Continuous 100%	Continuous ---	Continuous 100%
output type	Swingle polar, Bipolar	Bipolar	Swingle polar, Bipolar
USE	Ignition of Auto heater, ignition of kitchen equipment, fuel & gas heater etc		

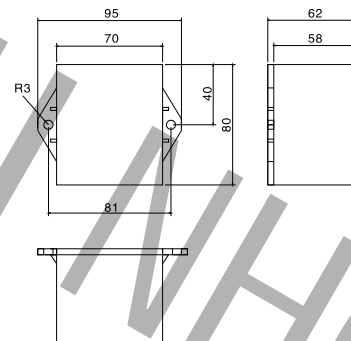


Technical parameters:

HT-12□□
 Input: 220V, ≤0.38A, 50Hz
 Output: ≥12KV
 Outline dimension: 70X52X61mm
 Ignition distance: 3~6mm
 Ignition efficiency within 3 minutes: HT-12□□: 33%
 HT-12□L: 100%

Output type: Monopole, Bipolar, XT-12A is bipolar output, two high-voltage wires outputted directly, suitable for fuel ignition;
 XT-12B is monopole, there is only one output high-voltage wire used for high-voltage output, low point of the high-voltage directly grounded through one double colour wire, suitable for gas ignition

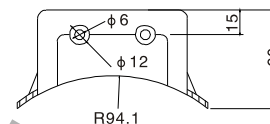
Note: The double color wire must be well grounded when you use the transformers



Technical parameters:

HTX-24V
 Input: 24VDC, continuous ignition 0.4~0.5A, interval ignition 0.8~1.2A
 Output: ≥15KV
 Outline dimension: 95X80X62mm
 Ignition distance: 3~5mm
 Ignition efficiency within 3 minutes: 33%/100%

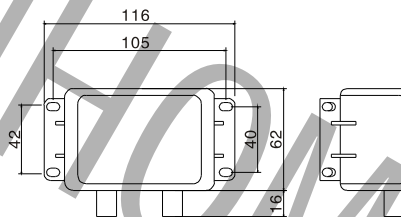
Note: The double color wire must be well grounded when you use the transformers



Technical parameters:

HNF-24
 Input: 24VDC, 0.8~1.2A
 Output: ≥15KV
 Outline dimension: 116X62X60mm
 Ignition distance: 3~5mm
 Ignition efficiency within 3 minutes: 33%

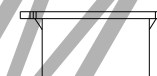
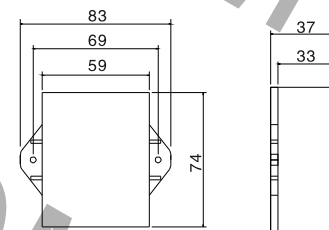
Note: The double color wire must be well grounded when you use the transformers



Technical parameters:

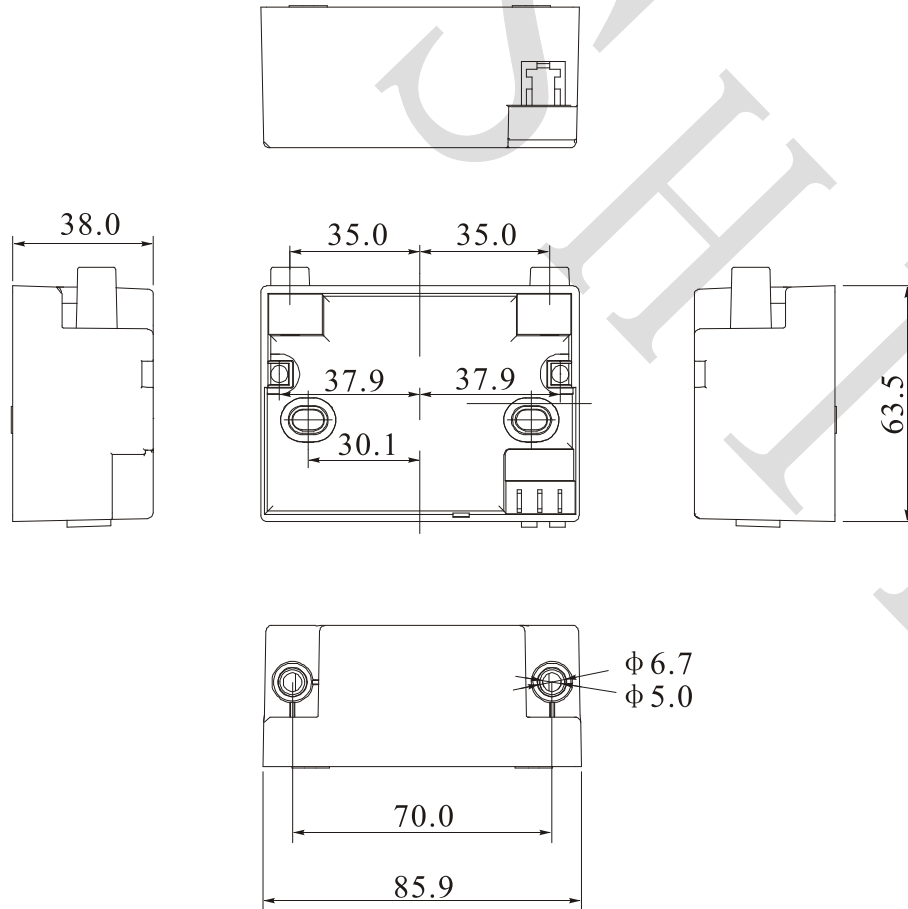
HTX-24V
 Input: 24VDC, ≤0.8A
 Output: ≥14KV
 Outline dimension: 83X74X37mm
 Ignition distance: 3~5mm
 Ignition efficiency within 3 minutes: 33%

Note: The double color wire must be well grounded when you use the transformers



Rev.	Description	Date
A0	New release	2023.12.19

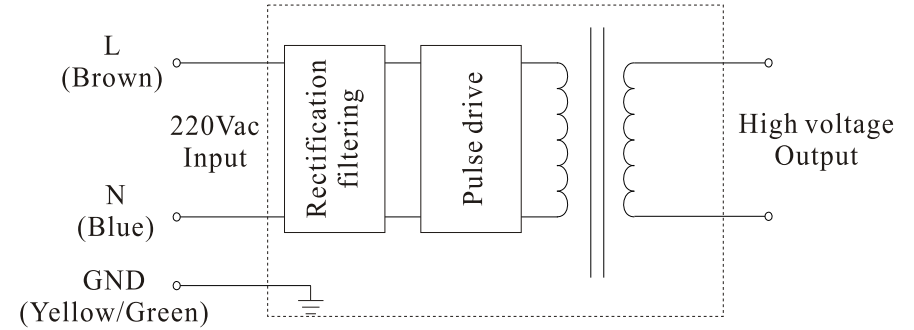
1. PHYSICAL CHARACTERISTICS (mm)



Marking

IGNITIONS TRANSFORMER	
Input: 220~240V, 0.25A, 50/60Hz	
Output: 12kV, 30mA, 33%ED in 3min	
Danger! High voltage	
Made in China	

2. ELECTRONICAL SCHEMATIC



3. ELECTRONICAL SPECIFICATIONS

- Input voltage: 220V ± 10%
- Input current: 0.25A Max
- Output voltage: 12KV (One output)
7.5kV (Two output)
- Output current: 30mA Min
- Ignition efficiency in three minutes: 33% (Interval work)
- Ignition efficiency in three minutes: 100% (Continuous work)
- Ignition distance: 3~5mm
- Input lead wire: φ 6 (3x0.35mm²), 460~520mm length
- Operating temperature range: -10°C to 55°C
(No including temp. rise)
- Storage temperature range: -25°C to 70°C

NEME:	Ignition transformers		
CUSTOMER P/N:		DATE:	2023-12-19
SHINHOM P/N:	HT-15	REV: A0	PAGE
DRAWN BY	CHECKED BY	APPROVE BY	



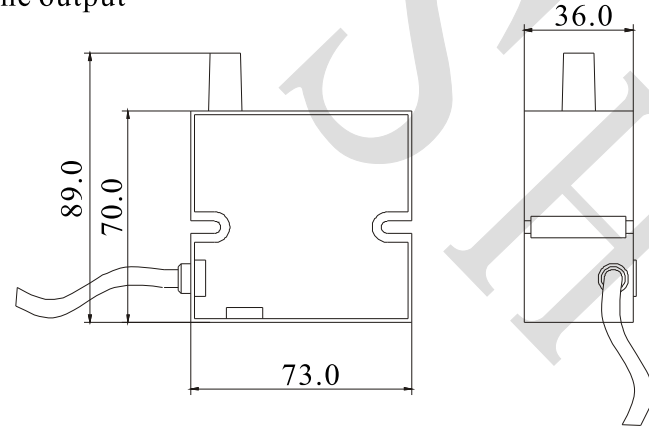
SHINHOM
SHAANXISHINHOM ENTERPRISE CO LTD

The Document property belong to SHINHOM & is not allowed to be duplicated without authorization

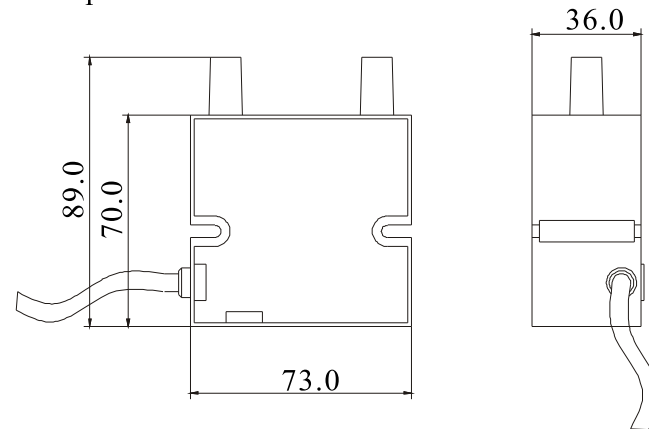
Rev.	Description	Date
A0	New release	2023.12.19

1. PHYSICAL CHARACTERISTICS (mm)




One output



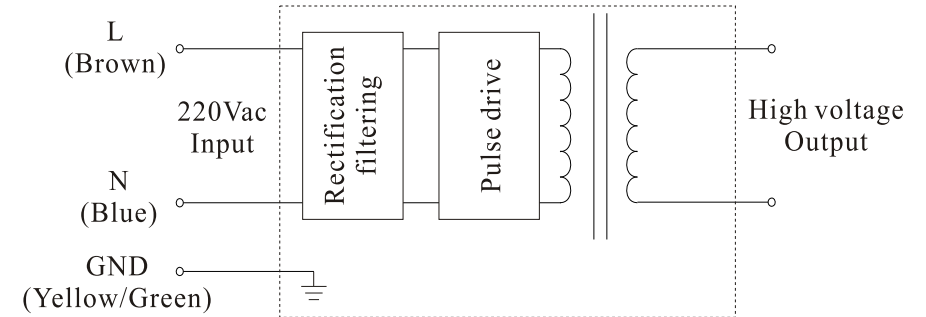
Two output



Marking

IGNITIONS TRANSFORMER Input: 220~240V, 0.2A, 50/60Hz Output: 18kV, 25mA, 33%ED in 3min Danger! High voltage Made in China	  DANGER! 
---	--

2. ELECTRONICAL SCHEMATIC



3. ELECTRONICAL SPECIFICATIONS

Input voltage: 220V ± 10%

Input current: 0.2A Max(Interval work)

0.1A Max(Continuous work)

Output voltage: 18KV(One output)

12kV(Two output)

Output current: 25mA Min

Ignition efficiency in three minutes: 33%(Interval work)

Ignition efficiency in three minutes: 100%(Continuous work)

Ignition distance: 3~5mm

Input lead wire: $\phi 6(3 \times 0.35 \text{mm}^2)$, 460~520mm length

Operating temperature range: -10°C to 55°C

(No including temp. rise)

Storage temperature range: -25°C to 70°C

NEME:	Ignition transformers		
CUSTOMER P/N:		DATE:	2023-12-19
SHINHOM P/N:	HT-18	REV: A0	PAGE
DRAWN BY	CHECKED BY	APPROVE BY	

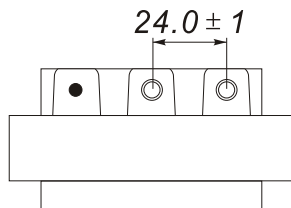
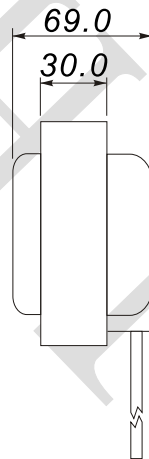
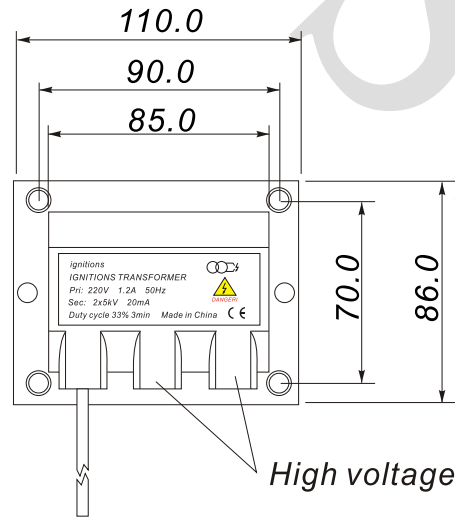


SHINHOM
SHAANXISHINHOM ENTERPRISE CO LTD

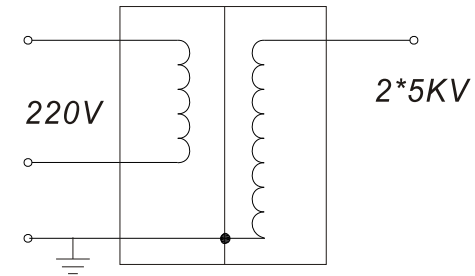
The Document property belong to SHINHOM & is not allowed to be duplicated without authorization

Rev.	Description	Date
A0	New release	2017.12.19

1. PHYSICAL CHARACTERISTICS (mm)



2. ELECTRONICAL SCHEMATIC



3. ELECTRONICAL SPECIFICATIONS

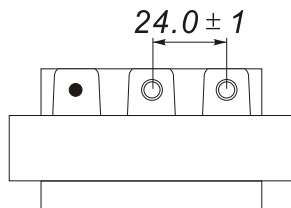
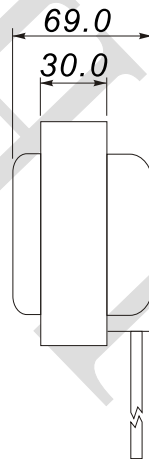
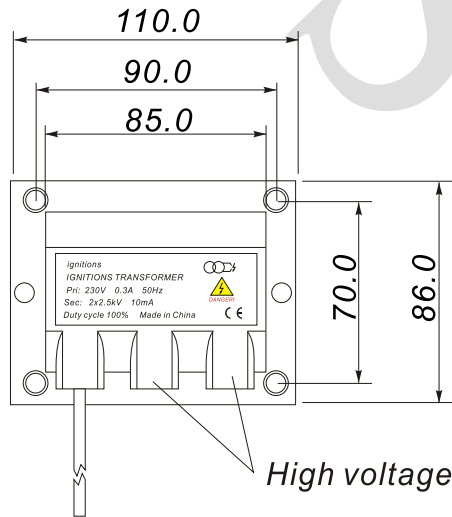
- Pri voltage: 220V/50Hz
- Pri current: 1.2A
- Apparent power: 264VA
- Sec voltage at open circuit: 2*5KV ± 10%
- Sec current in short circuit: 20mA ± 10%
- Duty cycle: 33%, 3min

NOTES:
Temp 20°C 48%RH
RoHS Compliant

NEME:	Ignition transformer		
CUSTOMER P/N:		DATE:	2017-12-19
SHINHOM P/N:	HT110-10A	REV: A0	PAGE
DRAWN BY	CHECKED BY	APPROVE BY	

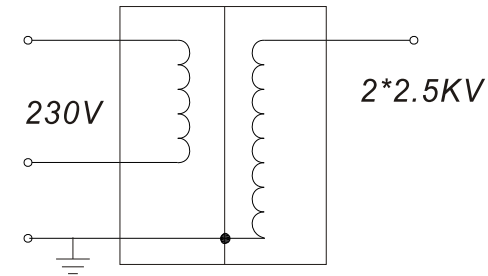
Rev.	Description	Date
A0	New release	2017.12.19

1. PHYSICAL CHARACTERISTICS (mm)



High voltage

2. ELECTRONICAL SCHEMATIC



3. ELECTRONICAL SPECIFICATIONS

Pri voltage: 230V/50Hz

Pri current: 0.3A

Apparent power: 69VA

Sec voltage at open circuit: $2*2.5KV \pm 10\%$

Sec current in short circuit: $10mA \pm 10\%$

Duty cycle: 100%

NOTES:
Temp 20°C 48%RH
RoHS Compliant

NEME:	Ignition transformer		
CUSTOMER P/N:		DATE:	2017-12-19
SHINHOM P/N:	HT110-10B	REV: A0	PAGE
DRAWN BY	CHECKED BY	APPROVE BY	



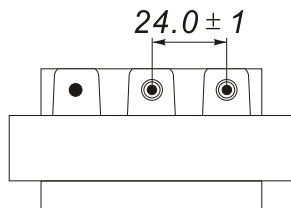
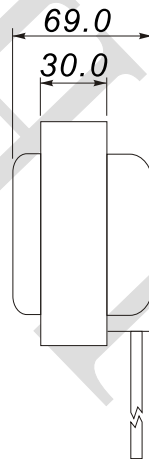
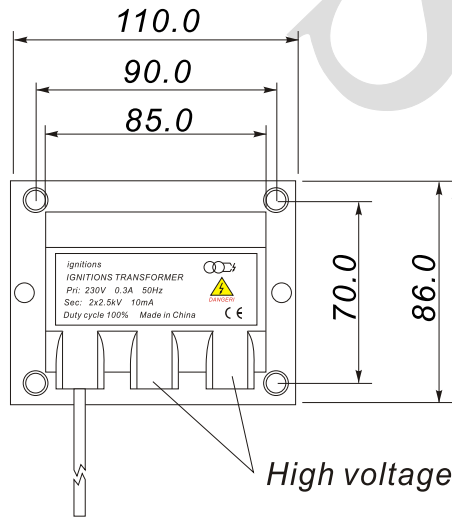
SHINHOM

SHAANXISHINHOM ENTERPRISE CO LTD

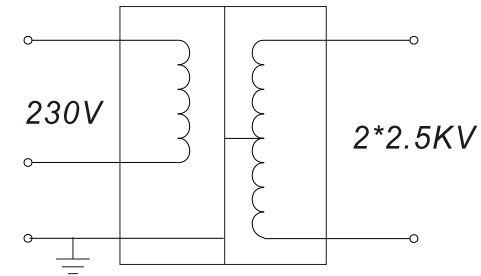
TEL: +86-029-87851838
 FAX: +86-029-87851840
 ZIP: 710054
 Http://www.shinhom.com
 E-mail: shinhom@globalsources.com
 sales@shinhom.com.cn
 NO. 8, Yanta Northern Road, Xi'an Shaanxi Pro. China

Rev.	Description	Date
A0	New release	2018.01.19

1. PHYSICAL CHARACTERISTICS (mm)



2. ELECTRONICAL SCHEMATIC



3. ELECTRONICAL SPECIFICATIONS

Pri voltage: 230V/50Hz

Pri current: 0.3A

Apparent power: 69VA

Sec voltage at open circuit: $2*2.5KV \pm 10\%$

Sec current in short circuit: $10mA \pm 20\%$

Duty cycle: 100%

NOTES:
Temp 20°C 48%RH
RoHS Compliant

NEME:	Ignition transformer		
CUSTOMER P/N:		DATE:	2018-01-19
SHINHOM P/N:	HT110-10D	REV: A0	PAGE
DRAWN BY	CHECKED BY	APPROVE BY	



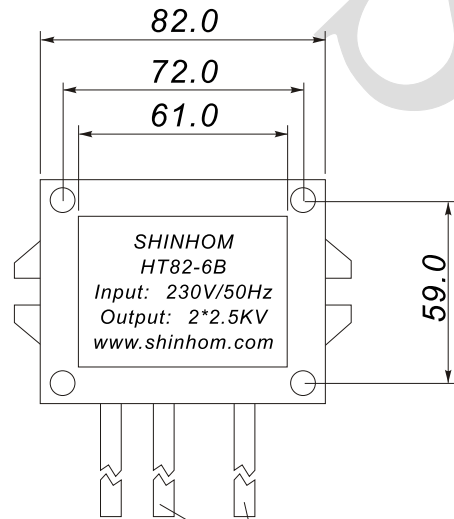
SHINHOM

SHAANXISHINHOM ENTERPRISE CO LTD

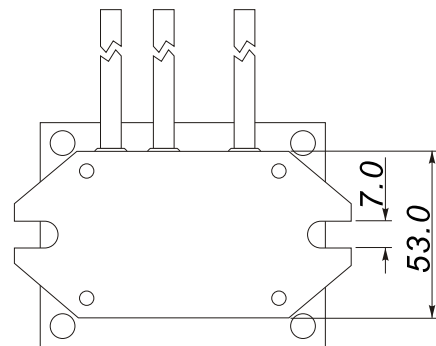
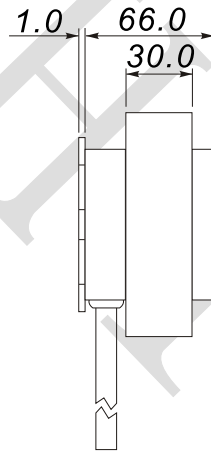
TEL:+86-029-87851838
FAX:+86-029-87851840
ZIP:710054
Http://www.shinhom.com
E-mail:shinhom@globalsources.com
sales@shinhom.com.cn
NO. 8, Yanta Northern Road, Xi'an Shaanxi Pro. China

Rev.	Description	Date
A0	New release	2017.12.19

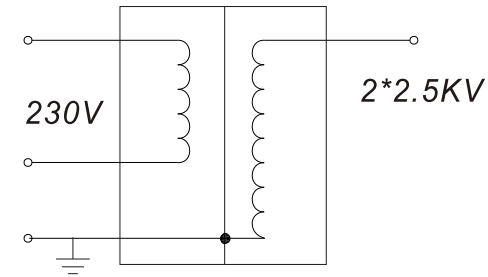
1. PHYSICAL CHARACTERISTICS (mm)



High voltage



2. ELECTRONICAL SCHEMATIC



3. ELECTRONICAL SPECIFICATIONS

Pri voltage: 230V/50Hz

Pri current: 0.3A

Apparent power: 69VA

Sec voltage at open circuit: $2*2.5KV \pm 10\%$

Sec peak voltage at open circuit: 3.54KV

Sec current in short circuit: $10mA \pm 10\%$

NOTES:

Temp 20°C 48%RH

RoHS Compliant

NEME:	Ignition transformer		
CUSTOMER P/N:		DATE:	2017-12-19
SHINHOM P/N:	HT82-6B	REV: A0	PAGE
DRAWN BY	CHECKED BY	APPROVE BY	



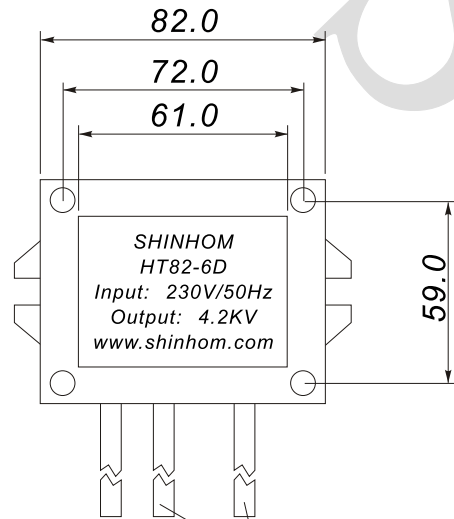
SHINHOM

SHINHOM SHAANXISHINHOM ENTERPRISE CO LTD

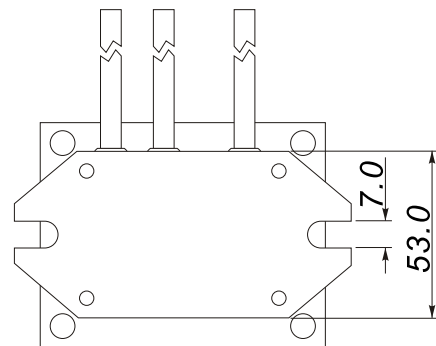
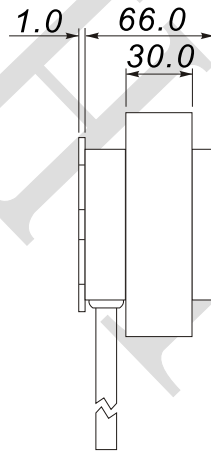
TEL:+86-029-87851838
 FAX:+86-029-87851840
 ZIP:710054
 Http://www.shinhom.com
 E-mail:shinhom@globalsources.com
 sales@shinhom.com.cn
 NO. 8. Yanta Northern Road, Xi'an Shaanxi Pro. China

Rev.	Description	Date
A0	New release	2018.01.19

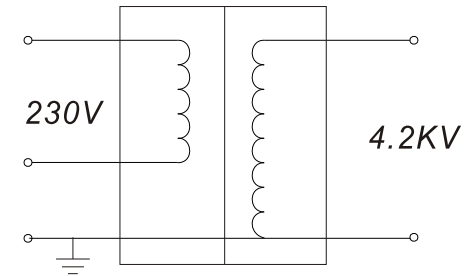
1. PHYSICAL CHARACTERISTICS (mm)



High voltage



2. ELECTRONICAL SCHEMATIC



3. ELECTRONICAL SPECIFICATIONS

Pri voltage: 230V/50Hz

Pri load current: 40mA Max

Pri no-load current: 180mA Max

Apparent power: 9.2VA

Sec voltage at open circuit: 4.2KV \pm 10%

Sec current in short circuit: 6mA \pm 20%

NOTES:

Temp 20°C 48%RH

RoHS Compliant

NEME:	Ignition transformer		
CUSTOMER P/N:		DATE:	2018-01-19
SHINHOM P/N:	HT82-6D	REV: A0	PAGE
DRAWN BY	CHECKED BY	APPROVE BY	



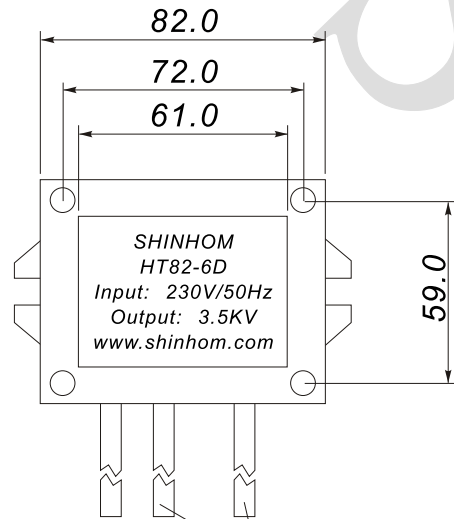
SHINHOM

SHINHOM SHAANXISHINHOM ENTERPRISE CO LTD

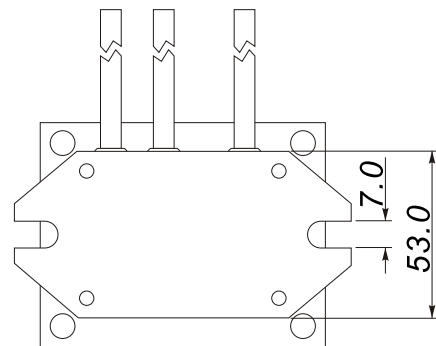
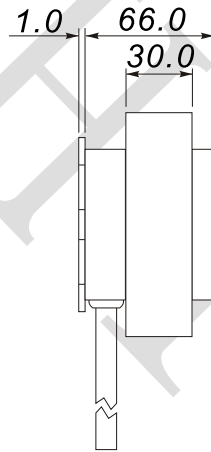
TEL:+86-029-87851838
 FAX:+86-029-87851840
 ZIP:710054
 Http://www.shinhom.com
 E-mail:shinhom@globalsources.com
 sales@shinhom.com.cn
 NO. 8. Yanta Northern Road, Xi'an Shaanxi Pro. China

Rev.	Description	Date
A0	New release	2018.01.19

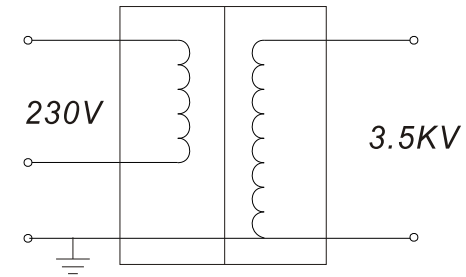
1. PHYSICAL CHARACTERISTICS (mm)



High voltage



2. ELECTRONICAL SCHEMATIC



3. ELECTRONICAL SPECIFICATIONS

Pri voltage: 230V/50Hz

Pri load current: 40mA Max

Pri no-load current: 150mA Max

Apparent power: 9.2VA

Sec voltage at open circuit: 3.5KV ± 10%

Sec current in short circuit: 6mA ± 20%

NOTES:

Temp 20°C 48%RH

RoHS Compliant

NEME:	Ignition transformer		
CUSTOMER P/N:		DATE:	2018-01-19
SHINHOM P/N:	HT82-6E	REV: A0	PAGE
DRAWN BY	CHECKED BY	APPROVE BY	



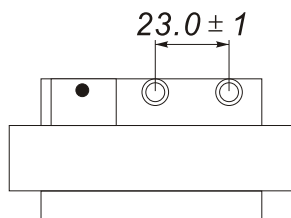
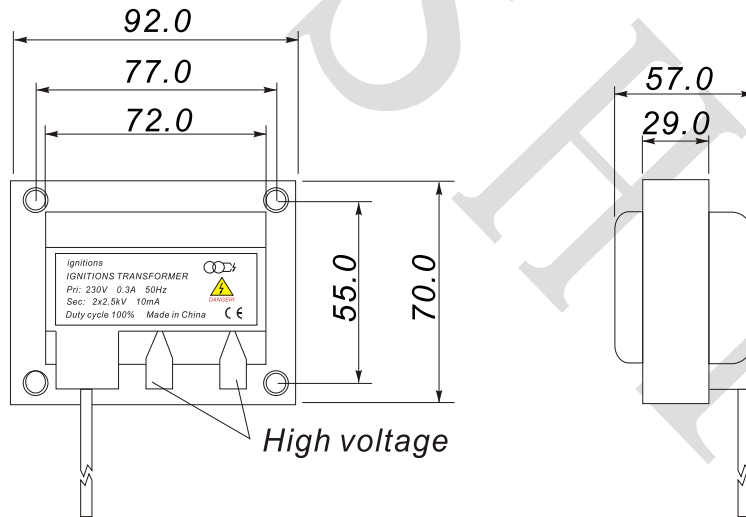
SHINHOM

SHINHOM SHAANXISHINHOM ENTERPRISE CO LTD

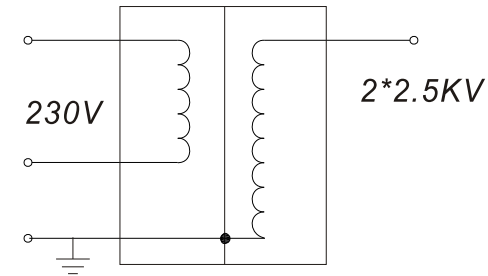
TEL:+86-029-87851838
 FAX:+86-029-87851840
 ZIP:710054
 Http://www.shinhom.com
 E-mail:shinhom@globalsources.com
 sales@shinhom.com.cn
 NO. 8. Yanta Northern Road, Xi'an Shaanxi Pro. China

Rev.	Description	Date
A0	New release	2017.12.19

1. PHYSICAL CHARACTERISTICS (mm)



2. ELECTRONICAL SCHEMATIC



3. ELECTRONICAL SPECIFICATIONS

Pri voltage: 230V/50Hz

Pri current: 0.3A

Apparent power: 69VA

Sec voltage at open circuit: $2*2.5KV \pm 10\%$

Sec peak voltage at open circuit: 3.54KV

Sec current in short circuit: $10mA \pm 10\%$

NOTES:
Temp 20°C 48%RH
RoHS Compliant

NEME:	Ignition transformer		
CUSTOMER P/N:		DATE:	2017-12-19
SHINHOM P/N:	HT92-7A	REV: A0	PAGE
DRAWN BY	CHECKED BY	APPROVE BY	



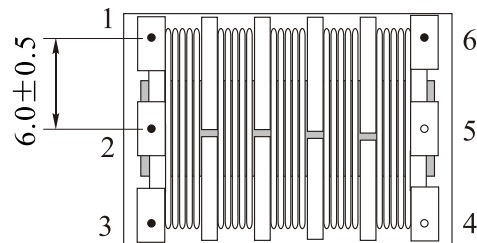
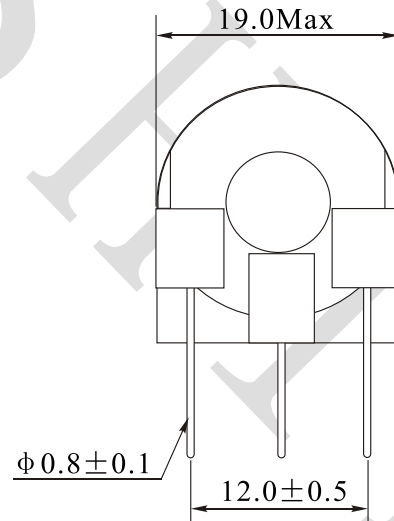
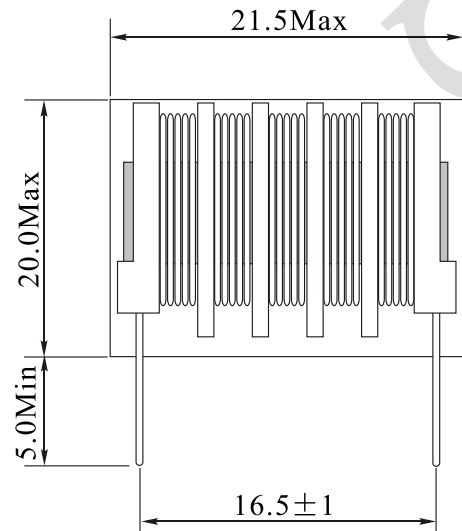
SHINHOM

SHINHOM SHAANXISHINHOM ENTERPRISE CO LTD

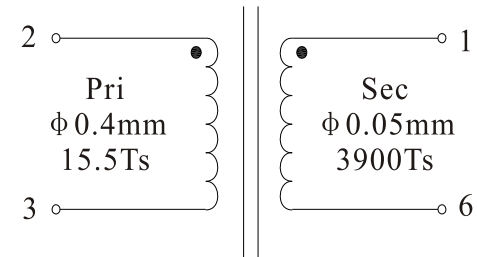
TEL:+86-029-87851838
FAX:+86-029-87851840
ZIP:710054
Http://www.shinhom.com
E-mail:shinhom@globalsources.com
sales@shinhom.com.cn
NO. 8. Yanta Northern Road, Xi'an Shaanxi Pro. China

Rev.	Description	Date
A0	New release	2020.08.26

1. PHYSICAL CHARACTERISTICS (mm)



2. ELECTRONICAL SCHEMATIC



3. ELECTRONICAL SPECIFICATIONS

Inductance: Pin2-3: $8\mu\text{H} \pm 20\%$ @1KHz, 1V

Pin1-6: $375\text{mH} \pm 20\%$ @1KHz, 1V

DCR: Pin2-3: $120\text{m}\Omega$ Max

Pin1-6: $1.5\text{K}\Omega$ Max

Turns ratio: Sec: Pri = 251.6: 1

Hi-Pot: 3KVac, 5mA, 1min Pri to Sec

NOTES:

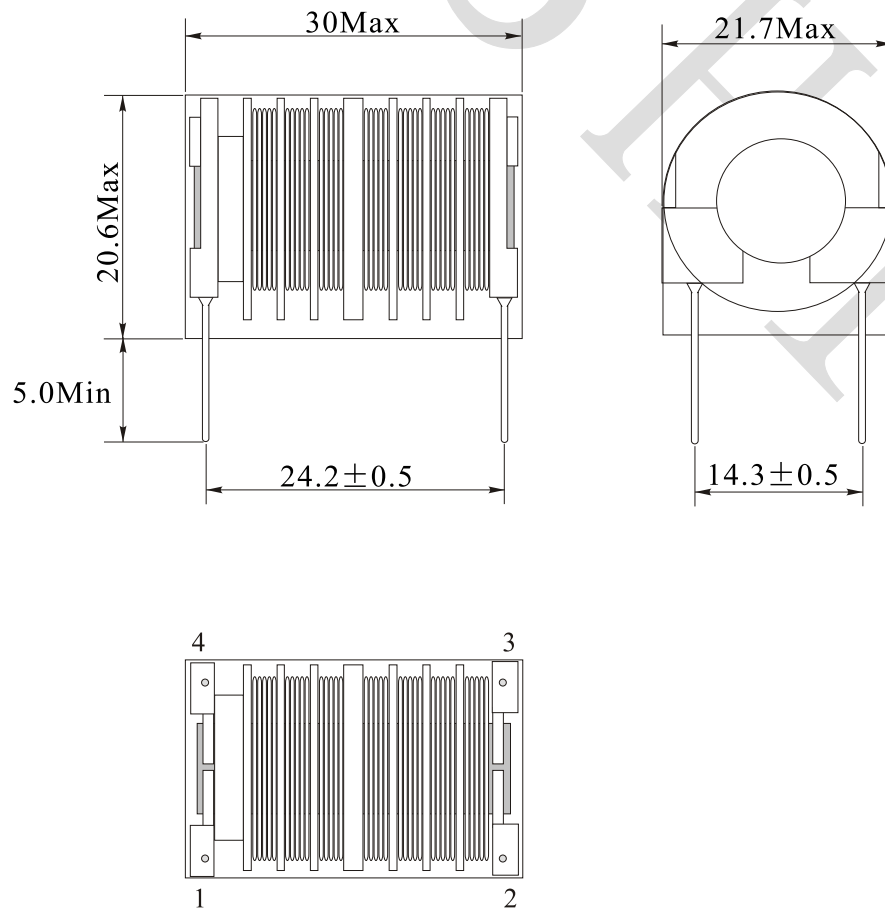
Temp 20°C 48%RH

RoHS Compliant

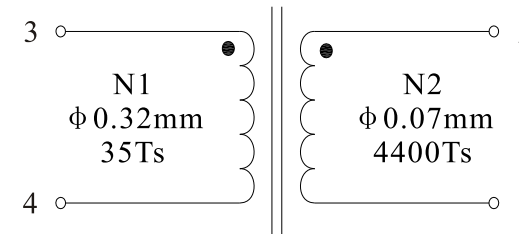
NEME:	Pulse transformer		
CUSTOMER P/N:		DATE:	2020-08-26
SHINHOM P/N:	HT0615-251	REV: A0	PAGE
DRAWN BY	CHECKED BY	APPROVE BY	

Rev.	Description	Date
A0	New release	2022.03.28

1. PHYSICAL CHARACTERISTICS (mm)



2. ELECTRONICAL SCHEMATIC



3. ELECTRONICAL SPECIFICATIONS

Turns ratio: 35:4400

Inductance: N1: 105uH ± 20% @ 1.0KHz, 1V

N2: 580mH ± 20% @ 1.0KHz, 1V

Note:

1. Solderability: leads shall meet MIL-STD-202, Method 208D for solderability.
2. Flammability: UL94V-0
3. ASTM oxygen index: >28%

Test Instrument: WK3260B+3261A

NOTES:

Temp 20°C 48%RH
RoHS Compliant

NAME:	High voltage transformer		
CUSTOMER P/N:		DATE:	2022-03-28
SHINHOM P/N:	HT0828-35-4400	REV: A0	PAGE
DRAWN BY	CHECKED BY	APPROVE BY	

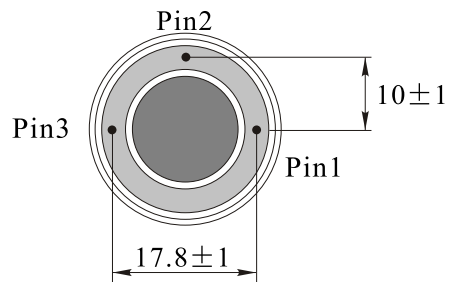
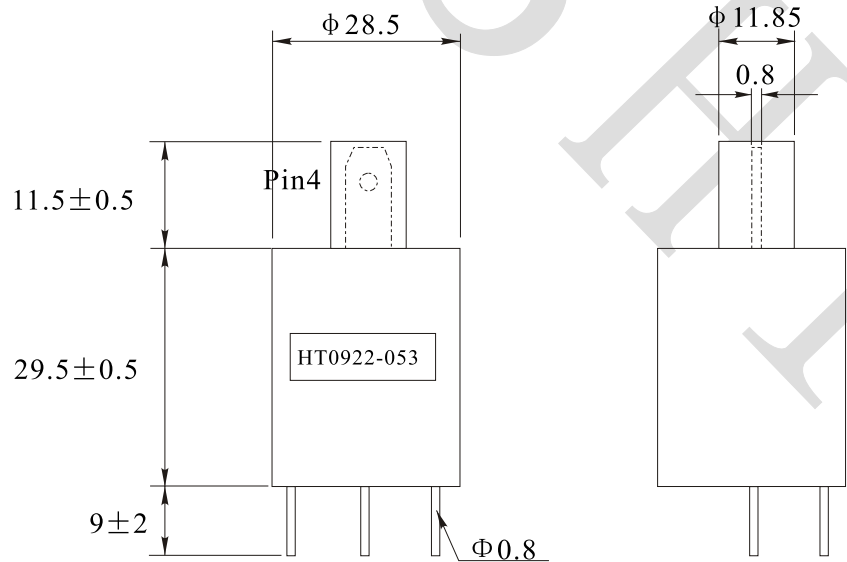


SHINHOM
SHAANXISHINHOM ENTERPRISE CO LTD

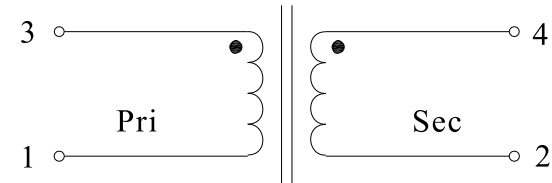
The Document property belong to SHINHOM & is not allowed to be duplicated without authorization

Rev.	Description	Date
A0	New release	2016.11.03

1. PHYSICAL CHARACTERISTICS (mm)



2. ELECTRICAL SCHEMATIC



3. ELECTRICAL SPECIFICATIONS

Turns ratio:	Pri:Sec=1:53
Pri DCR:	100m Ω Max
Sec DCR:	300 Ω Max
Pri inductance:	17.5uH ± 5uH@1.0Hz,1V
Sec inductance:	50mH ± 10mH@1.0Hz,1V

4. MATERIAL LIST

No	MATERIAL	MATERIAL SPEC	PROVIDER	UL.NO
1	Epoxy	102GF30UVW Transparent	Beijing hanlun industrial plastics Co.,Ltd	E243880
2	WIRE	MW79#	Xu zhou shengbao industryCo.,Ltd	E194766
3	Bobbin	PBT4130 White	Yun Cheng plsadtics Co., Ltd	F48285CM
4	Shell	ABS PA-765A Black	Chi Mei Corporation	E56070

NAME:	High voltage ignition coil		
CUSTOMER P/N:		DATE:	2016-11-03
SHINHOM P/N:	HT0922-053	REV:	A0
DRAWN BY	CHECKED BY	APPROVE BY	

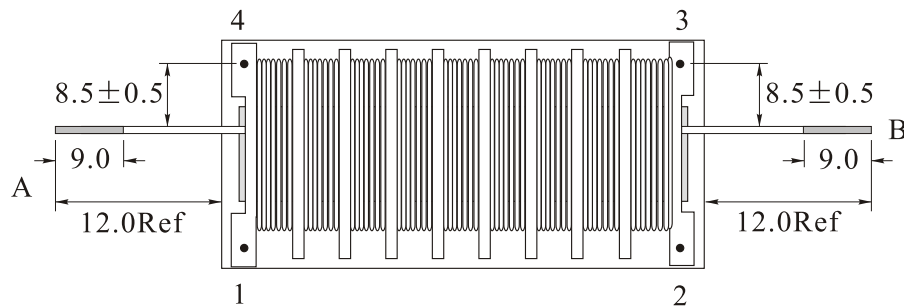
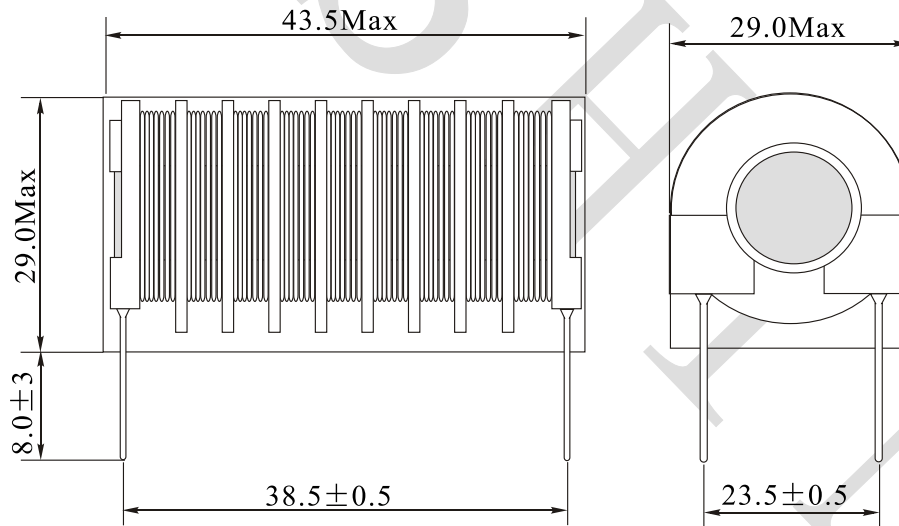


SHINHOM
SHAANXISHINHOM ENTERPRISE CO LTD

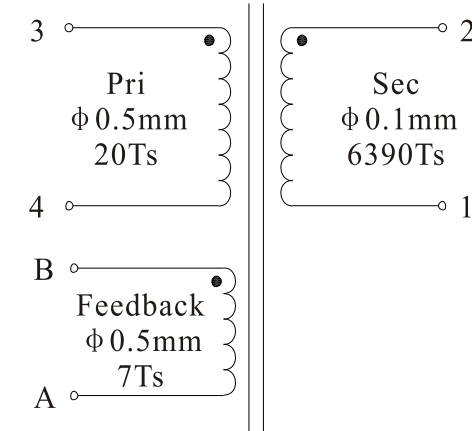
The Document property belong
to SHINHOM & is not allowed to be
duplicated without authorization

Rev.	Description	Date
A0	New release	2021.12.16

1. PHYSICAL CHARACTERISTICS(mm)



2. ELECTRONICAL SCHEMATIC



3. ELECTRONICAL SPECIFICATIONS

Inductance: Pin3-4: 20.0uH±20%@1KHz,0.1V

Pin2-1: 1.4H±20%@1KHz,0.1V

Turns ratio: Sec: Pri=6390:20

DCR: Pin3-4: 72mΩ ±10%

Pin2-1: 815Ω ±7%

Operating temperature: -25°C to +105°C

NOTES:

Temp 20°C 48%RH
RoHS Compliant

NEME:	Ignition transformer		
CUSTOMER P/N:		DATE:	2021-12-16
SHINHOM P/N:	HT1040-642-3	REV: A0	PAGE
DRAWN BY	CHECKED BY	APPROVE BY	

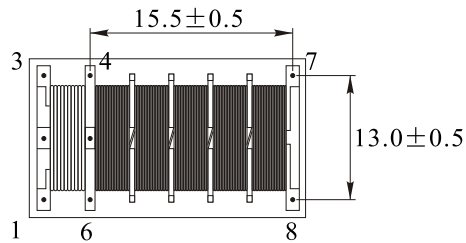
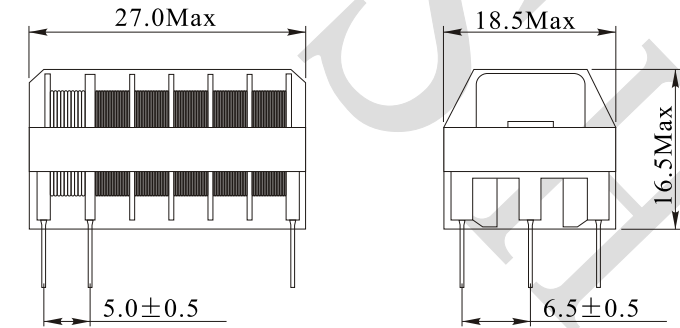


SHINHOM
SHAANXISHINHOM ENTERPRISE CO LTD

The Document property belong to SHINHOM & is not allowed to be duplicated without authorization

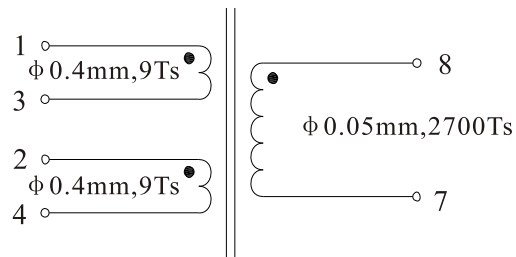
Rev.	Description	Date
A0	New release	2021.11.09

1. PHYSICAL CHARACTERISTICS (mm)



Bottom view

2. ELECTRONICAL SCHEMATIC



3. ELECTRONICAL SPECIFICATIONS

Inductance(1-3)=(2-4): 7~16uH@1KHz,0.1V

DCR(1-3)=(2-4): 37mΩ ±20%

Inductance(8-7): 1.0H ±20%@1KHz,0.1V

DCR(8-7): 650Ω ±20%

4. MATERIALS

No.	Name	Ratings	Manufacturer name
1	magnetic core	EEL16 PC40	SONGNA
2	copper wire	φ0.05mm 2UEW	JINGWEI
		φ0.4mm 2UEW	
3	adhesive tape	130°C	WENLIAN
4	skeleton	150°C	ZHISHENG
5	epoxy	TA228	PINTE
6	curing agent	B2006	PINTE
7	tin	Green tin	HONGXINGWEI

NAME:	High voltage transformer		
CUSTOMER P/N:		DATE:	2021-11-09
SHINHOM P/N:	HT16L-2700-18	REV: A0	PAGE
DRAWN BY	CHECKED BY	APPROVE BY	

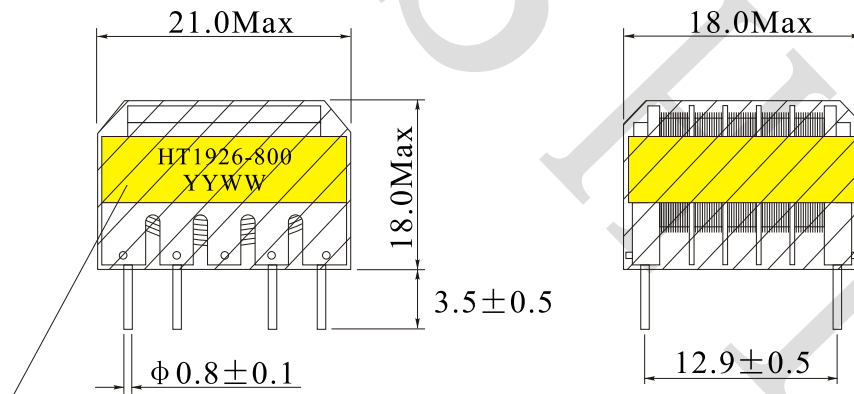


SHINHOM
SHAANXISHINHOM ENTERPRISE CO LTD

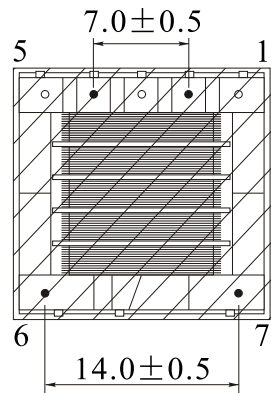
The Document property belong to SHINHOM & is not allowed to be duplicated without authorization

Rev.	Description	Date
A0	New release	2022.06.28

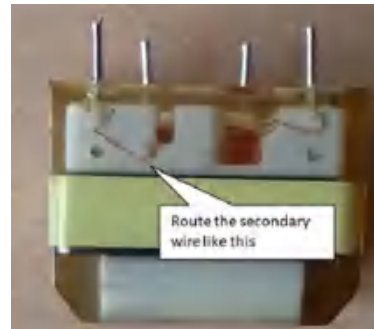
1. PHYSICAL CHARACTERISTICS (mm)



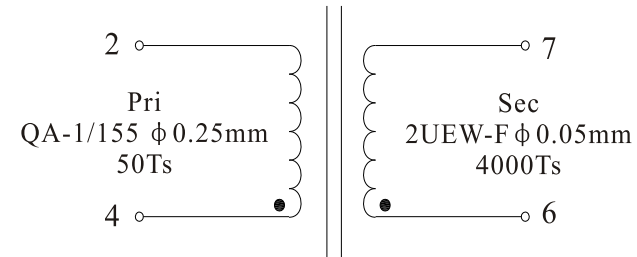
Mark label before encapsulation



Note: Secondary correct output mode



2. ELECTRONICAL SCHEMATIC



3. ELECTRONICAL SPECIFICATIONS

Turns ratio: Pri : Sec=1:80

Inductance(2-4): 190uH ± 20%@10KHz,0.1V

Inductance(7-6): 960mH ± 20%@10KHz,0.1V

Operating temperature: -25°C to 85°C

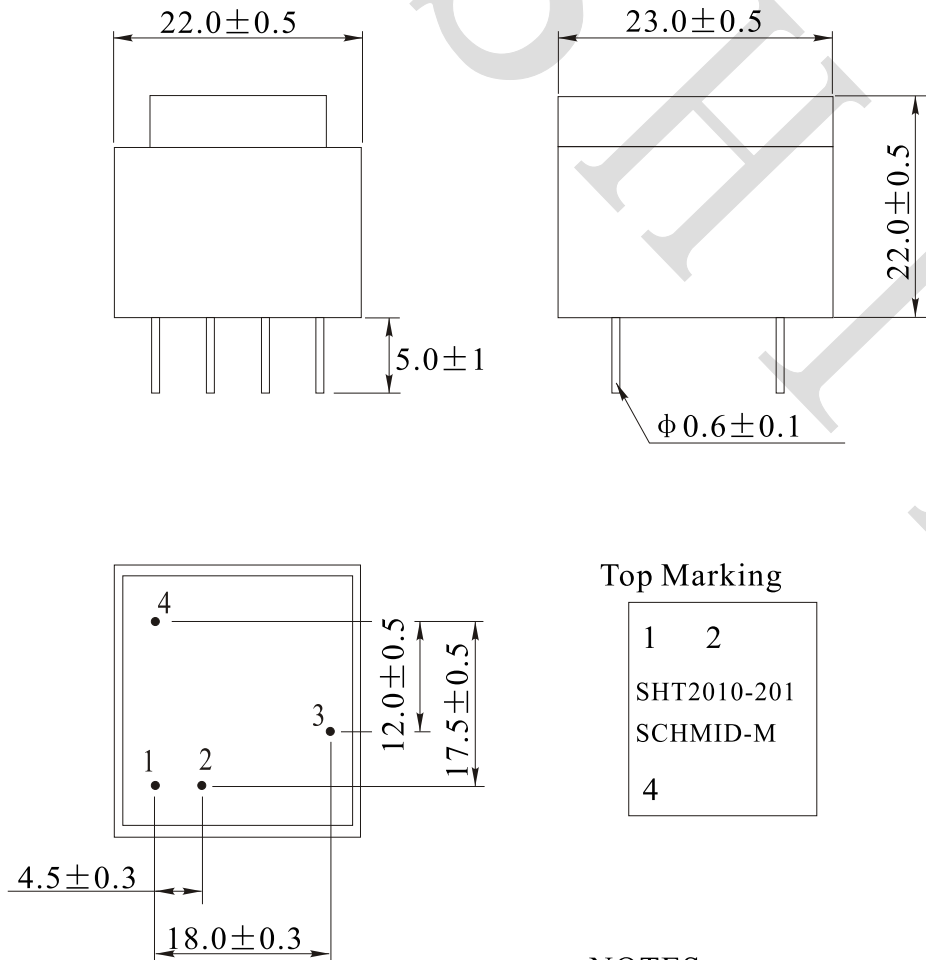
NOTES:

Temp 20°C 48%RH
RoHS Compliant

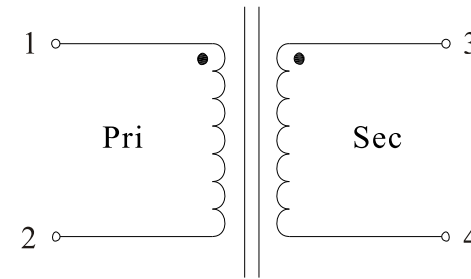
NEME:	High voltage transformers		
CUSTOMER P/N:		DATE:	2022-06-28
SHINHOM P/N:	HT1926-800	REV: A0	PAGE
DRAWN BY	CHECKED BY	APPROVE BY	

Rev.	Description	Date
A0	New release	2018.07.11

1. PHYSICAL CHARACTERISTICS (mm)



2. ELECTRONICAL SCHEMATIC



3. ELECTRONICAL SPECIFICATIONS

Turns ratio: 1:200
 Pri voltage: 10~200V
 Sec voltage: 22kV Min
 Pri DCR: $26\text{m}\Omega \pm 15\%$
 Sec DCR: $520\Omega \pm 15\%$
 Pri inductance: $6\mu\text{H} \pm 15\% @ 100\text{Hz}, 0.3\text{V}$
 Sec inductance: $240\text{mH} \pm 15\% @ 100\text{Hz}, 0.3\text{V}$
 Output power: 1W
 Noload work time: 30S
 Operating temperature: 0°C to $+80^\circ\text{C}$

NOTES:

Temp 20°C 48%RH
 RoHS Compliant

NAME:	High voltage transformers		
CUSTOMER P/N:		DATE:	2018-07-11
SHINHOM P/N:	HT2010-201	REV: A0	PAGE
DRAWN BY	CHECKED BY	APPROVE BY	

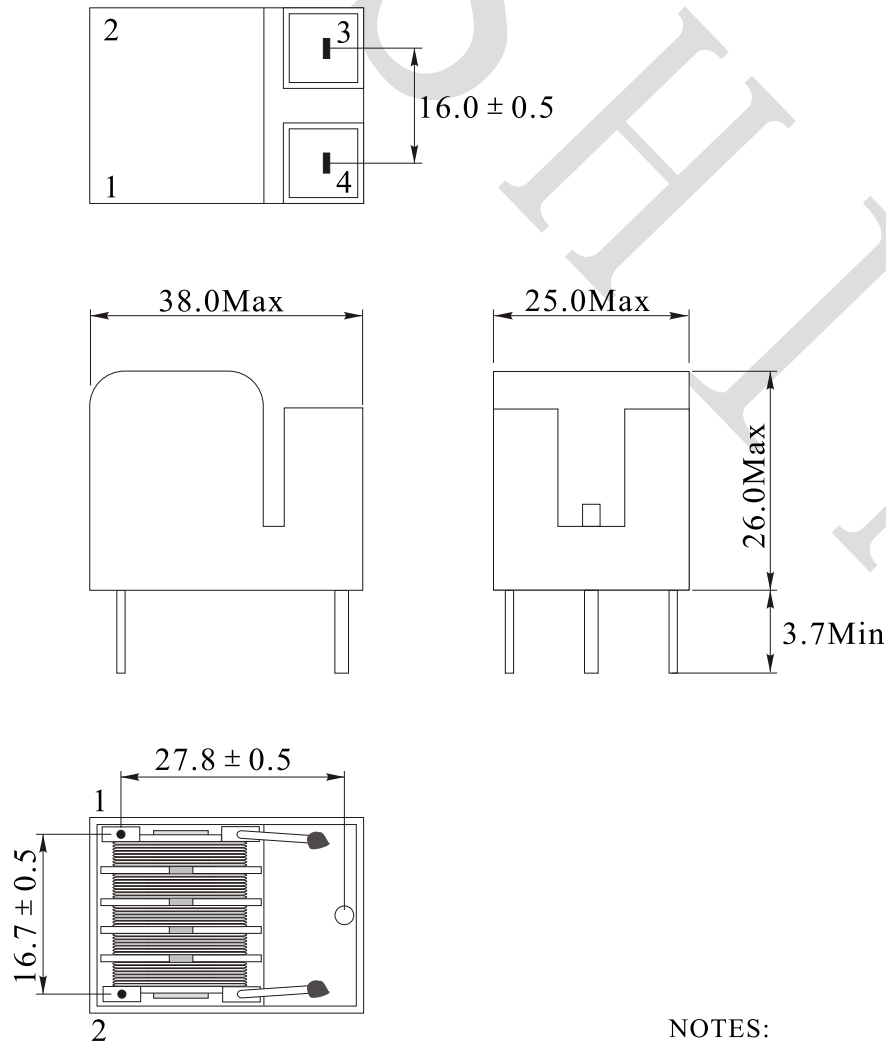


SHINHOM
 SHAANXISHINHOM ENTERPRISE CO LTD

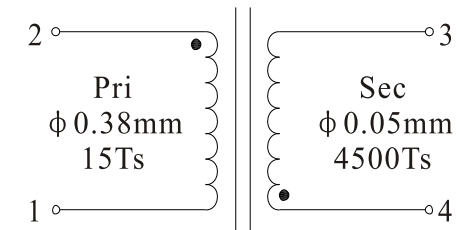
The Document property belong
 to SHINHOM & is not allowed to be
 duplicated without authorization

Rev.	Description	Date
A0	New release	2020.04.28

1. PHYSICAL CHARACTERISTICS (mm)



2. ELECTRONICAL SCHEMATIC



3. ELECTRONICAL SPECIFICATIONS

Inductance: Pin2-1: $10\mu\text{H} \pm 20\%$ @1KHz,0.3V

Pin4-3: $500\text{mH} \pm 20\%$ @1KHz,0.3V

Turns ratio: Sec: Pri=300 Ref

DCR: Pin2-1: $80\text{m}\Omega \pm 20\%$

Pin4-3: $1600\Omega \pm 20\%$

NOTES:

Temp 20°C 48%RH
RoHS Compliant

NEME:	Ignition transformer		
CUSTOMER P/N:	2179	DATE:	2020-04-28
SHINHOM P/N:	HT2528V-241-2	REV: A0	PAGE
DRAWN BY	CHECKED BY	APPROVE BY	

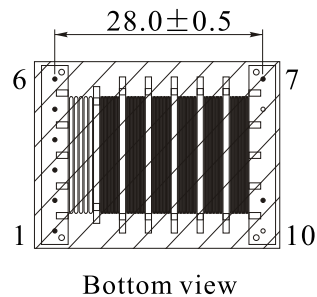
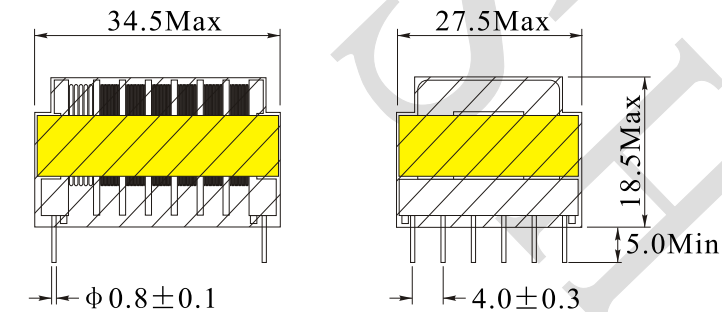


SHINHOM
SHAANXISHINHOM ENTERPRISE CO LTD

TEL:+86-029-87851838
FAX:+86-029-87851840
ZIP:710054
Http://www.shinhom.com
E-mail:shinhom@globalsources.com
sales@shinhom.com.cn
NO. 8, Yanta Northern Road, Xi'an Shaanxi Pro. China

Rev.	Description	Date
A0	New release	2022.05.17

1. PHYSICAL CHARACTERISTICS (mm)



Cut off pin8,10

3. ELECTRICAL SPECIFICATIONS

Inductance(4-2): $99\mu\text{H} \pm 20\%$ @1KHz,0.1V

DCR(4-2): $0.15\ \Omega \pm 20\%$

Inductance(9-7): $365\text{mH} \pm 17\%$ @1KHz,0.1V

DCR(9-7): $191\ \Omega \pm 20\%$

Test Instrument:

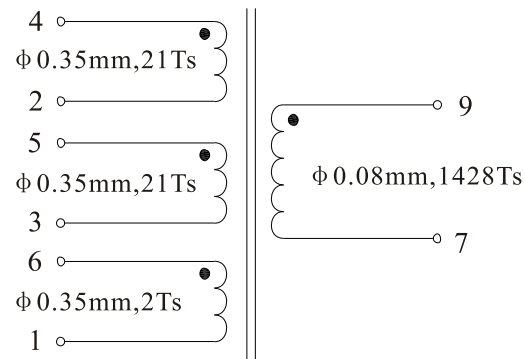
L: HP4284A

RDC: HM2540

Note:

- 1.Solderability: leads shall meet MIL-STD-202, Method 208D for solderability.
- 2.Flammability: UL94V-0
- 3.ASTM oxygen index: >28%

2. ELECTRICAL SCHEMATIC



NAME:	High voltage transformer		
CUSTOMER P/N:	EEH2513	DATE:	2022-05-17
SHINHOM P/N:	HT25L-1482-44	REV: A0	PAGE
DRAWN BY	CHECKED BY	APPROVE BY	

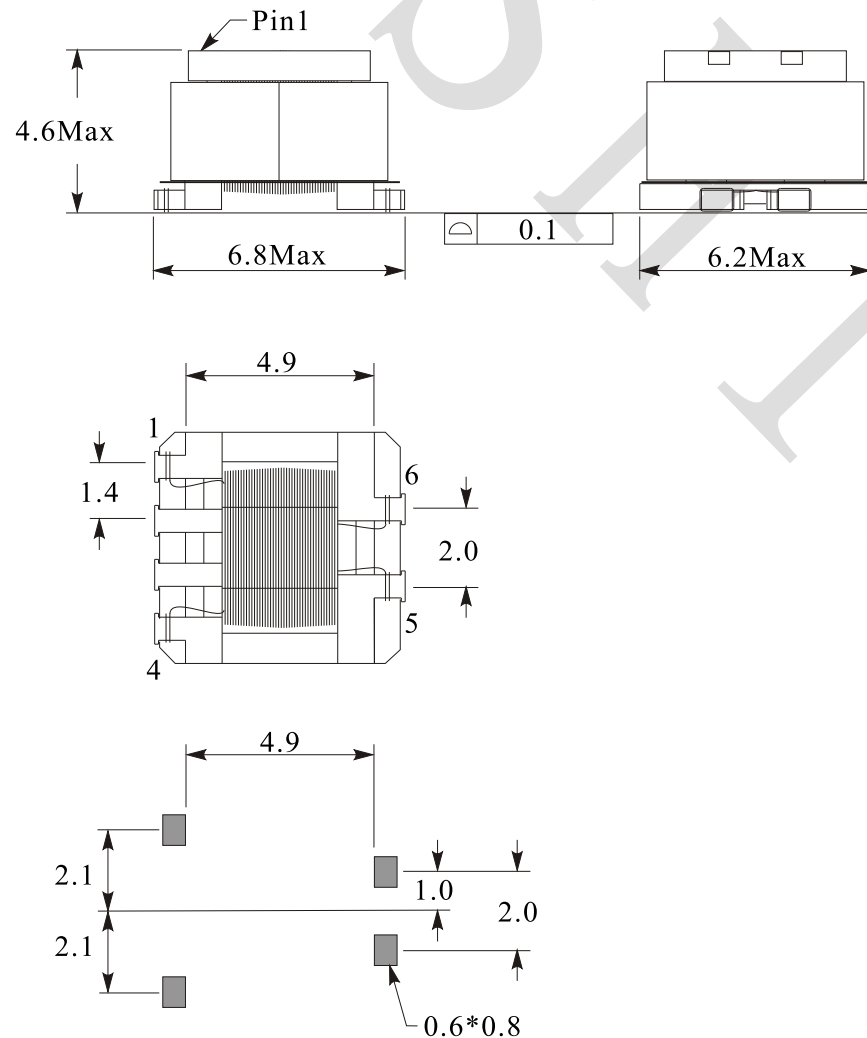


SHINHOM
SHAANXISHINHOM ENTERPRISE CO LTD

The Document property belong to SHINHOM & is not allowed to be duplicated without authorization

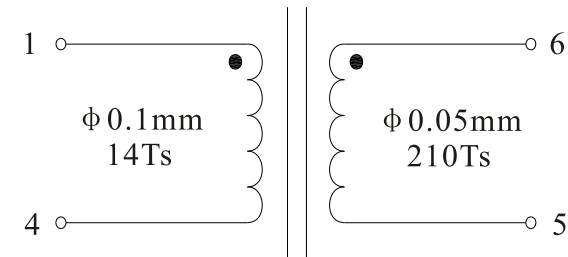
Rev.	Description	Date
A0	New release	2017.03.20

1. PHYSICAL CHARACTERISTICS (mm)



Recommended LAN Pattern

2. ELECTRONICAL SCHEMATIC



3. ELECTRONICAL SPECIFICATIONS

- Turns ratio: (1-4):(6-5)=1:15
- L(1-4): 15uH ± 10% @ 1.0KHz, 1V
- Lk: 0.3uH Max @ 100KHz, 0.1V
- DCR(1-4): 1.0 Ω Max
- DCR(6-5): 25 Ω Max
- I_{pk}: 1.2A
- Inductance(I_{pk}): 13.5uH Min @ 1.0KHz, 1V
- Ambient temperature: -40°C to +125°C
- Operating temperature: -40°C to +125°C

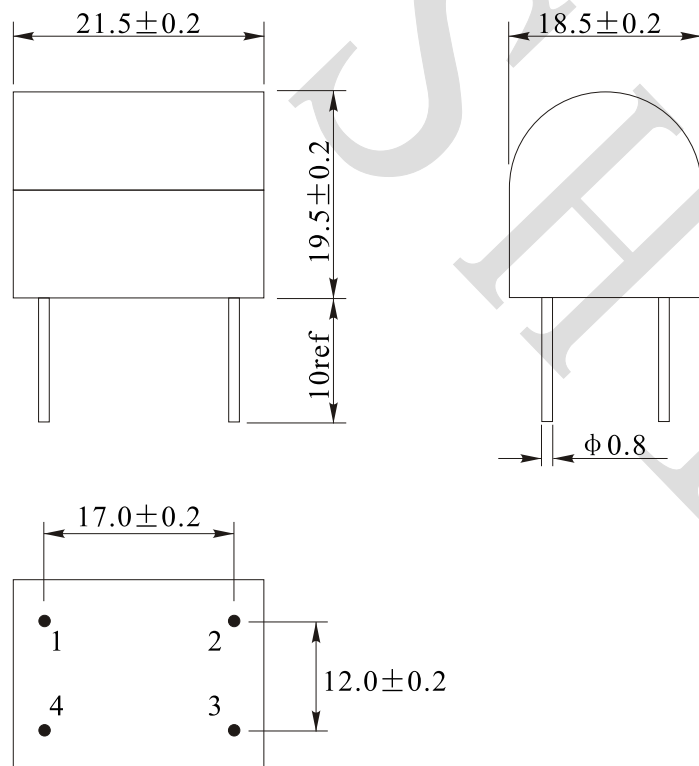
NAME:	High voltage transformers		
CUSTOMER P/N:	CJ5143-AL	DATE:	2017-03-20
SHINHOM P/N:	HT5143	REV:	A0
		PAGE	
DRAWN BY	CHECKED BY	APPROVE BY	



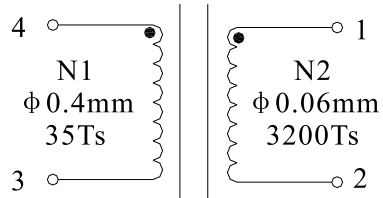
SHINHOM
SHAANXISHINHOM ENTERPRISE CO LTD

The Document property belong to SHINHOM & is not allowed to be duplicated without authorization

MECHANICAL DIMENSION:(UNIT:mm)



SCHEMATIC:



WINDING:

WDG	TERMINAL	WIRE SIZE	TURNS	REMARKS
N1	4-3	φ 0.4mm	35TS	
N2	1-2	φ 0.06mm	3200TS	

ELECTRICAL CHARACTER:

NO.	ITEM	MEASURED POINT	TECHNICAL DATA	TEST CONDITION & INSTRUMENT
1	Inductance	4-3	31.5uH±10%	1KHz 0.25V
		1-2	250mH±10%	
2	DCR	4-3	115mΩ ±10%	HM2540
		1-2	700Ω ±10%	

MATERIAL LIST:

NO.	ITEM	MATERIALS	RATING	FILE NO	SUPPLIERS
1	CORE	R6.5X21	---	---	SHANDONG ZHAOYUAN GAOXIANGDI ANZIYOUXIAN GON GSI CO.,LTD
2	WIRE	EIW (POLYESTERIMIDE)	180℃	E85640	TAH ELECTRIC WIRE&CABLE CO.,LTD
3	BOBBIN	PBT	130℃	E130155	NAN YA PLASTICS CORP
4	EPOXY	HASUNCAST 3010	110℃	E86165	SHENZHEN SHI HUASHENG TONGCHUAN GKEJIY OUXIANGONGSI CO.,LTD

NAME:	Ignition Transformers		
CUSTOMER P/N:		DATE:	2011-06-02
SHINHOM P/N:	HT6521	REV: A0	PAGE
DRAWN BY	CHECKED BY	APPROVE BY	

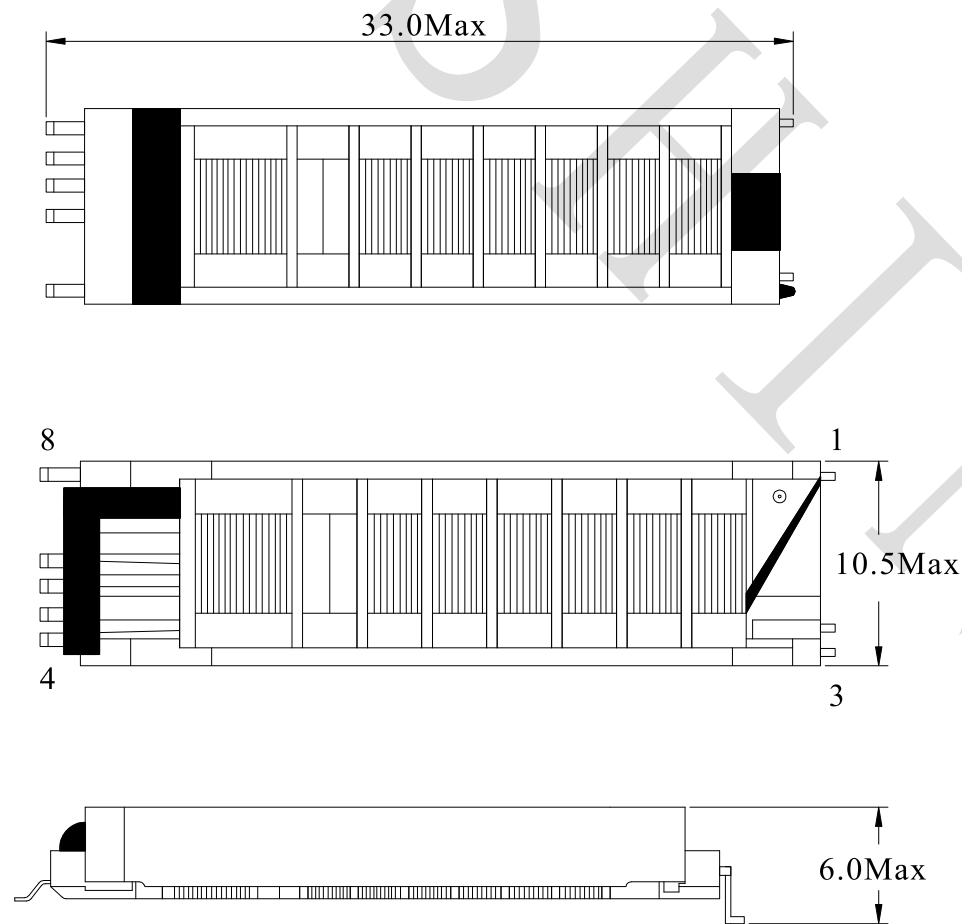


SHINHOM
SHAANXISHINHOM ENTERPRISE CO LTD

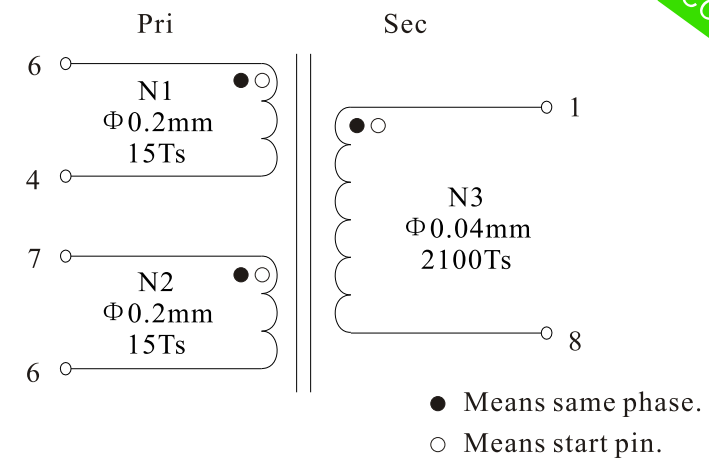
The Document property belong to SHINHOM & is not allowed to be duplicated without authorization



1. PHYSICAL CHARACTERISTICS(mm)



2. ELECTRONICAL SCHEMATIC



3. ELECTRONICAL SPECIFICATIONS

- Inductance: Pin1-8: 0.68H Min@1KHz,1V
- Pin6-4: 32.8uH Min@1KHz,1V
- Pin7-6: 32.8uH Min@1KHz,1V
- Lk: Pin1-8: 0.23mH±15%@40KHz,1V
- Pin6-4: 11uH±15%@40KHz,1V
- Pin7-6: 11uH±15%@40KHz,1V
- DCR: Pin1-8: 0.67K Ω Max
- Pin6-4: 0.2 Ω Max
- Pin7-6: 0.19 Ω Max
- Hi-Pot: Pri-Sec: 3.0KVac,5mA,2S
- Pri-Core: 1.0KVac,5mA,2S
- Sec-Core: 3.0KVac,5mA,2S

NOTES:
Temp 25°C 48%RH
RoHS Compliant

NAME:	Transformer		
CUSTOMER P/N:	FT-BIT0908A	DATE:	2012-05-29
SHINHOM P/N:	HTUI98-032	REV: A0	PAGE
DRAWN BY	CHECKED BY	APPROVE BY	