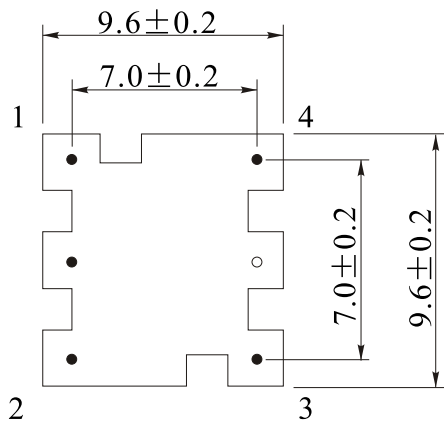
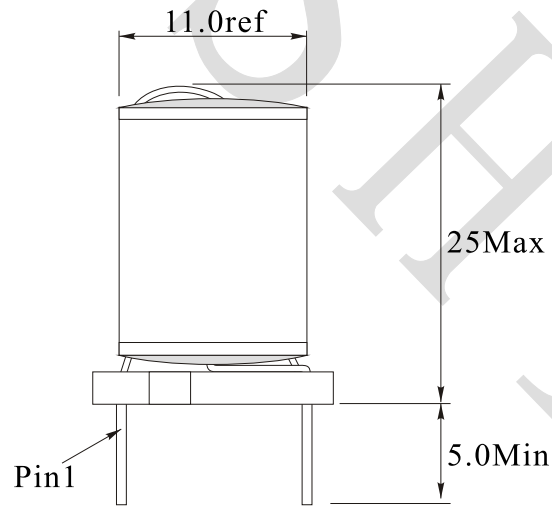


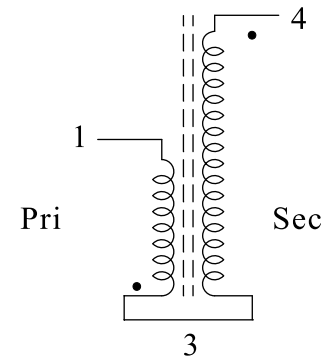
### 1. PHYSICAL CHARACTERISTICS (mm)



#### NOTES:

Temp 20°C 48%RH  
RoHS Compliant

### 2. ELECTRONICAL SCHEMATIC



### 3. ELECTRONICAL SPECIFICATIONS

L: Sec: 9.0mH Min @1.0KHz,0.1V

DCR: Sec: 100Ω ±20%

Output voltage: 10KV Min@input 300V

Insulation voltage: 15KV Min

Test Instrument:

L: HP4284A

RDC: HM2540

NAME:	Trigger coil		
CUSTOMER P/N:		DATE:	2012-09-19
SHINHOM P/N:	TCB1016	REV: A0	PAGE
DRAWN BY	CHECKED BY	APPROVE BY	



**SHINHOM**  
SHAANXISHINHOM ENTERPRISE CO LTD

The Document property belong to SHINHOM & is not allowed to be duplicated without authorization