

SMT COMMON MODE CHOKES

STRF01 SERIES



FEATURES:

- Common mode chokes for AC power lines
- High impedance to minimize common mode noise
- Excellent EMI performance
- Meets UL94V-0 flammability standard

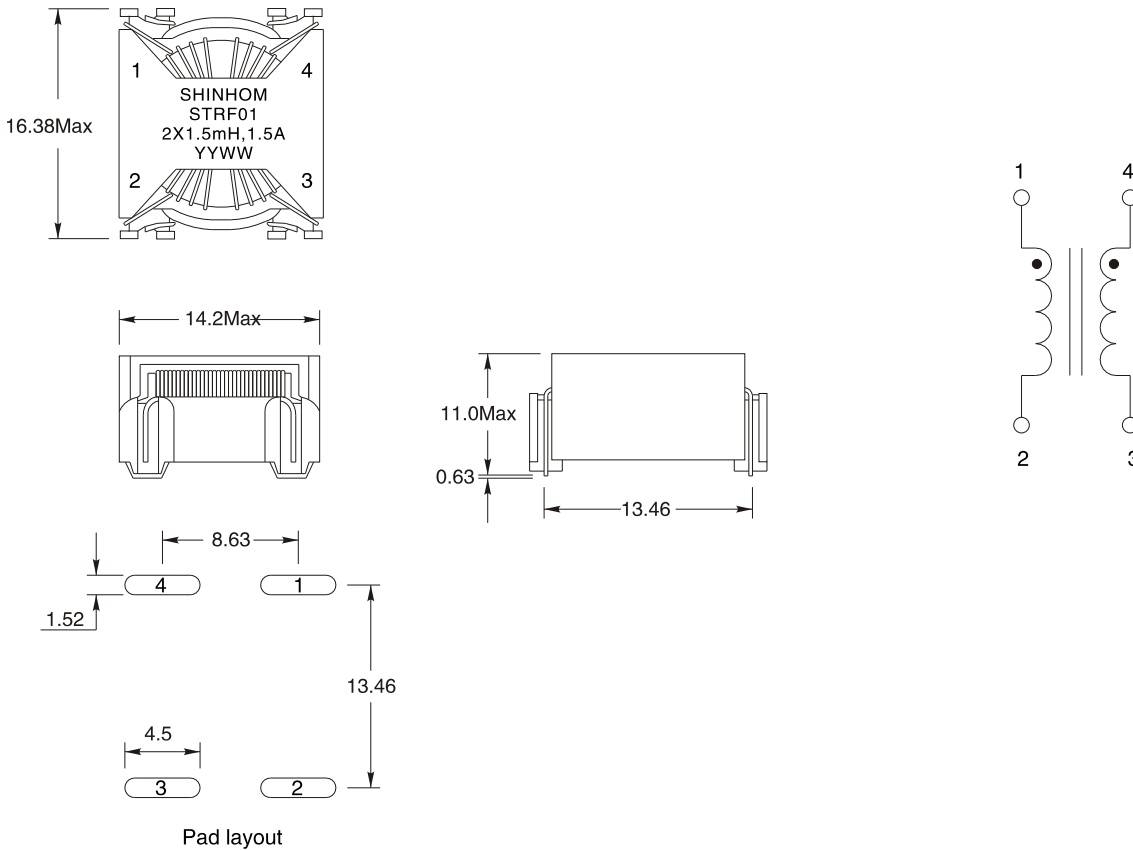
APPLICATIONS:

- EMI filters
- DC-DC brick power supplies
- Discrete output supplies
- Discrete and point-of-use power supplies

ELECTRICAL CHARACTERISTICS:

Part Number	L(0A) (uH)Min 10KHz,0.1V	IDC (A)Max	DCR (mΩ)Max	Hi-Pot 1mA/2S/60Hz (Vac)
STRF01-651Y	650	3.6	50	1000
STRF01-801Y	800	1.5	60	1000
STRF01-152Y	1500	1.5	60	1000
STRF01-602Y	6000	1.0	450	1000
STRF01-153Y	15000	1.0	600	1000

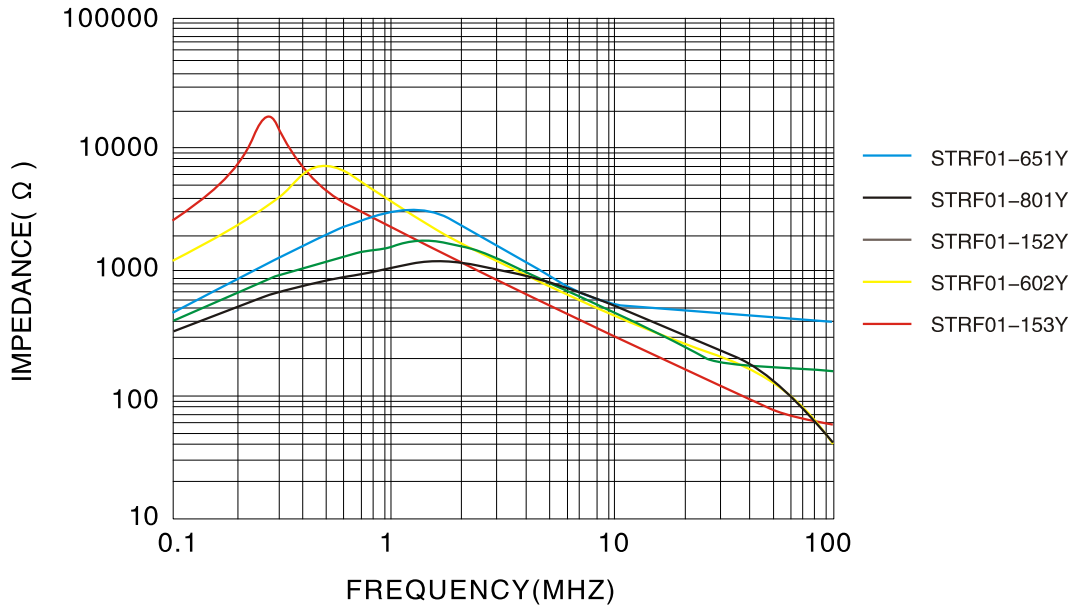
PHYSICAL CHARACTERISTICS & WINDING



NOTES:

- Temperature Rise40°C typical at IDC
- Operating Temperature-40°C to +125°C(Including self temperature rise)
- Storage Temperature-40°C to +125°C
- Soldering245°C, 5 seconds max
- Dielectric Strength1000 Vrms between windings

IMPEDANCE COMMON MODE



IMPEDANCE DIFFERENTIAL MODE

