

COMMON MODE POWER LINE CHOKE

TRF2110VT SEIRES



FEATURES:

- Very high permeability nanocrystalline core material
- Improved isolation through plastic case and winding spacer
- High and stable inductance values at high temperatures
- High rated currents
- Broadband suppression
- Small size

APPLICATIONS:

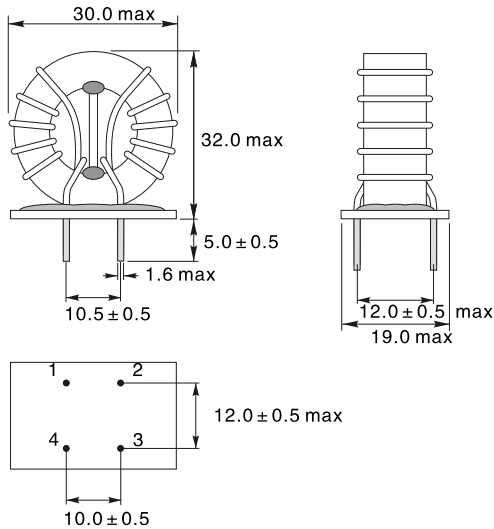
- Power electronics
- Power line in- and output filter
- Suppression for common mode noise
- Radio interference suppression in motors

ELECTRICAL CHARACTERISTICS:

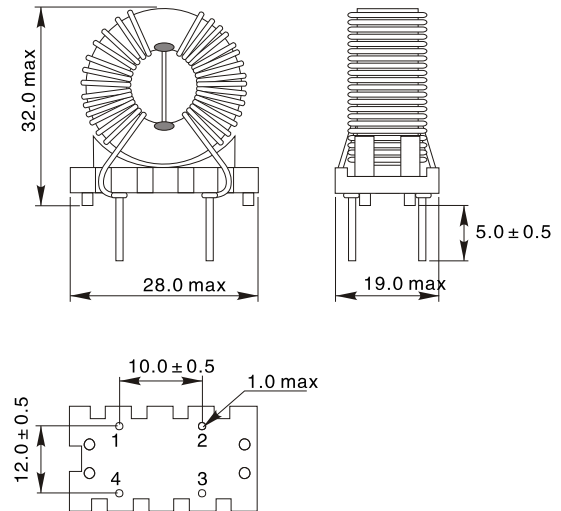
Part Number	L (mH)	Tolerance (%)	Rated Current (A)	RDC max. (mΩ)	Dimensions
TRF2110VT-102Y	1.0	-30 to +50	20	2.4	1
TRF2110VT-152Y	1.5		18	3.2	1
TRF2110VT-202Y	2.0		15	5	1
TRF2110VT-402Y	4.0		11	8.5	1
TRF2110VT-702Y	7.0		7	20	1
TRF2110VT-153Y	15		5.0	38	2
TRF2110VT-353Y	35		3.5	80	2
TRF2110VT-823Y	82		2.5	170	2

PHYSICAL CHARACTERISTICS:

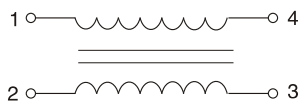
Dimensions 1



Dimensions 2



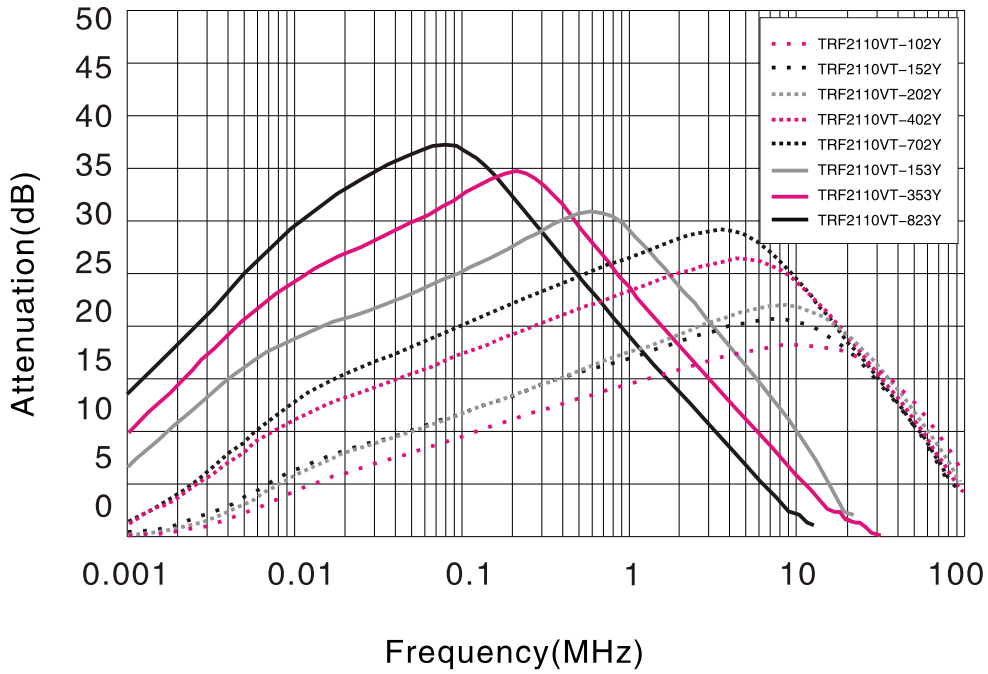
Winding



Notes:

- Rated voltage.....250Vac
- Frequency.....50/60Hz
- Insulation test voltage..... 1500V
- Operating temperature.....-40 °C to +125 °C
- Housing..... UL94 V-0

INSERTION LOSS COMMON MODE



INSERTION LOSS DIFFERENTIAL MODE

