

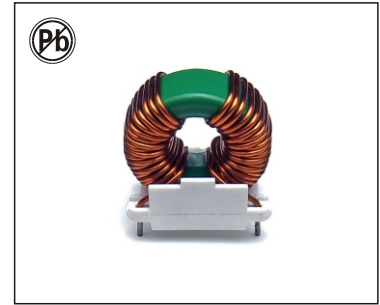
# THROUGH-HOLE TOROIDAL COMMON MODE CHOKES TRF4525 SERIES

## FEATURES:

- 1.8A to 15A ratings
- 3.0mH to 56mH dual chokes
- Excellent Mechanical Strength
- 100KHz to 3MHz common mode resonance
- High Reliability and variant PCB-mount housing
- Low resistance and temperature rise

## COMMON APPLICATIONS:

- DC/DC, AC/DC line noise suppression
- Communication System
- Automotive Systems
- LCD/PDP Televisions
- Computer Peripheral Equipment It accord with the standards of FCC VCCI CISPR FTZ, etc, eliminating of electromagnetic noise of power and signal circuit.

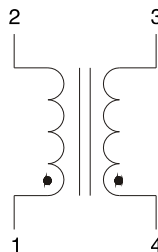
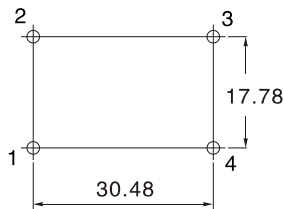
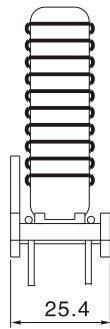
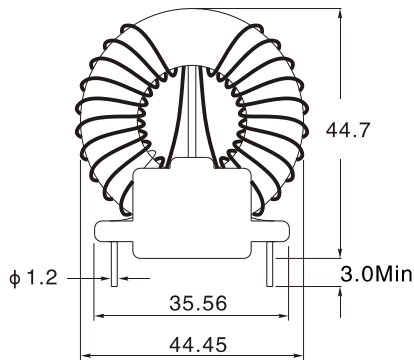


## ELECTRICAL CHARACTERISTICS:

Part Number	Inductance (mH Min.) 10KHz,0.1V	Rated Current Amps	DCR each winding (Ohms Max)	Leakage inductance (μ H) Type
TRF4525-563Y	56.0	1.8	1.0	550
TRF4525-333Y	33.0	2.0	0.730	300
TRF4525-223Y	22.0	3.2	0.352	280
TRF4525-153Y	15.0	4.2	0.132	150
TRF4525-123Y	12.0	6.8	0.098	95
TRF4525-502Y	5.0	12	0.035	50
TRF4525-302Y	3.0	15	0.009	20

## TECHNICAL INFORMATION & PHYSICAL CHARACTERISTICS:

### DIMENSIONS IN:mm



- Inductance tolerance in +50% -30%
  - Max operating voltage:250V at 40°C
  - IDC Max: rating AC/DC current A @40°C
  - Hi-Pot 2500Vac winding to winding 3S.
  - Inductance Testing: 10KHz 0.1V HP4284A
  - RDC:QuadTech 1880 Milliohmmer
  - Surge current Max 10ms: 20X IDC
  - Operating temperature: -40°C to +105°C
  - Storage Temperature: -40°C to +105°C
  - Resistance to soldering heat:260°C for 10 seconds
  - Marking: Part number and date code
- Note:All specifications subject to change without notice.