

COMMON MODE POWER LINE CHOKE

TRF2008HT SERIES



FEATURES:

- Horizontal design for compact housings
- Suppression even at low frequency ranges
- Broadband filtering because of low capacitance winding technique
- Highest possible current with small sizes

APPLICATIONS:

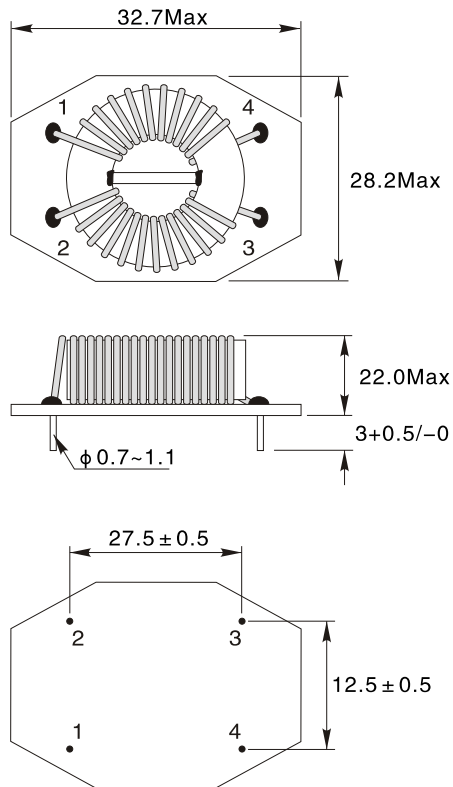
- Power electronics
- Power line input and output filter
- Radio interference suppression in motors
- Suppression of common mode noise

ELECTRICAL CHARACTERISTICS:

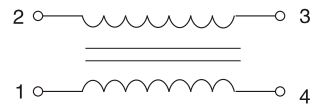
Part Number	L (mH)	Tolerance (%)	Rated Current (A)	RDC max. (mΩ)
TRF2008HT-102N	1.0	± 30	10	12.5
TRF2008HT-222N	2.2		6	22
TRF2008HT-332N	3.3		5	37
TRF2008HT-502N	5.0		4	50
TRF2008HT-702N	7.0		3.5	80

PHYSICAL CHARACTERISTICS:

Dimensions 1



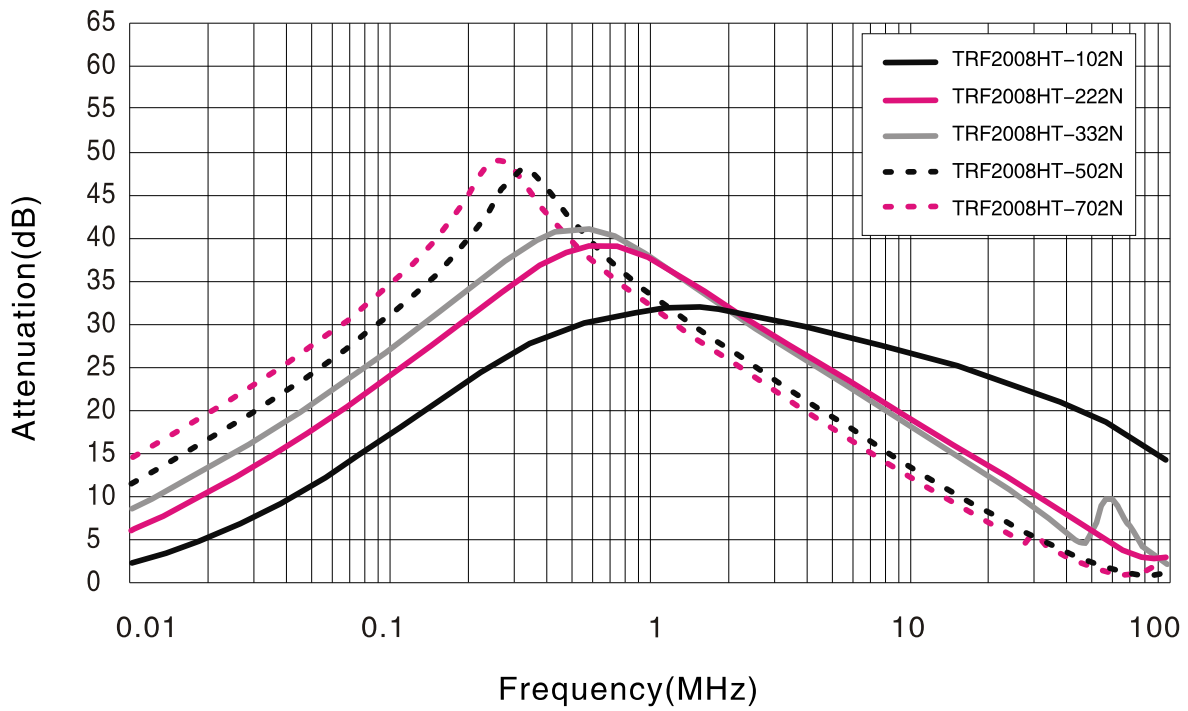
Winding



Notes:

- Rated voltage.....250Vac
- Frequency.....50/60Hz
- Insulation test voltage..... 1500V
- Operating temperature.....-40 °C to +125 °C
- Housing..... UL94 V-0

ATTENUATION COMMON MODE



ATTENUATION DIFFERENTIAL MODE

