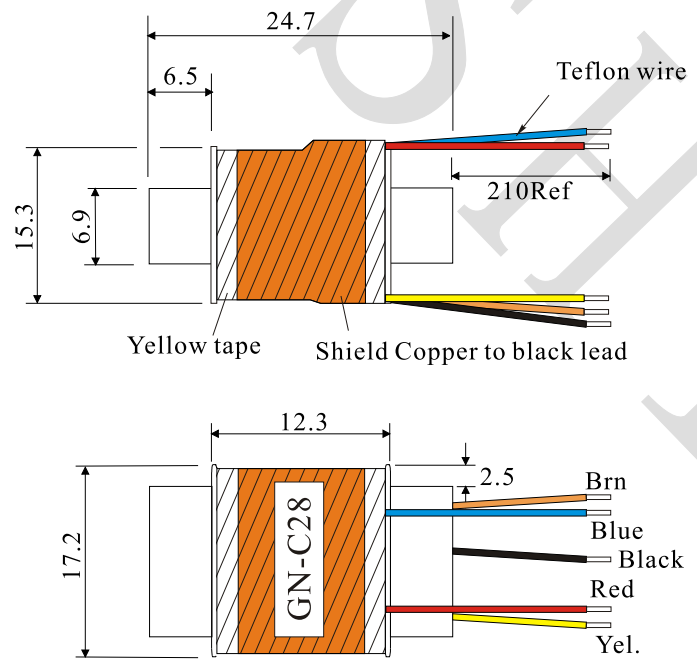




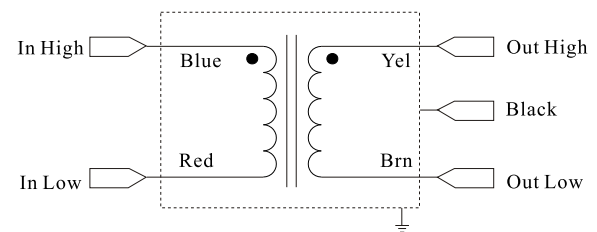
### 1. PHYSICAL CHARACTERISTICS (mm)



### 3. ELECTRONICAL SPECIFICATIONS

- Turns Ratio: 1:28
- Impedance ratio: 0.19:150
- Inductance(Blue-Red): 4.8mH Ref@100Hz,0.1V
- Inductance(Brn-Yel): 3.25H Ref@100Hz,0.1V
- Inductance(Blue-Red): 990uH Ref@1.0KHz,0.1V
- Inductance(Brn-Yel): 700mH Ref@1.0KHz,0.1V
- DCR(Blue-Red): 172mΩ ± 15%
- DCR(Brn-Yel): 21.35Ω ± 15%
- Capacitance: 88pF Max@1KHz
- Insertion loss: 5.8dB@1KHz
- Operating Temp Range: 0 °C to 70 °C

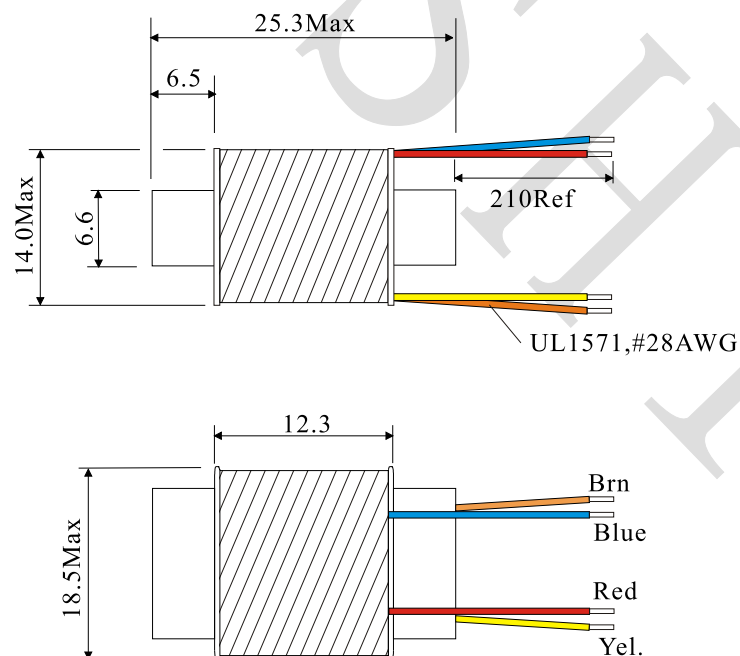
### 2. ELECTRONICAL SCHEMATIC



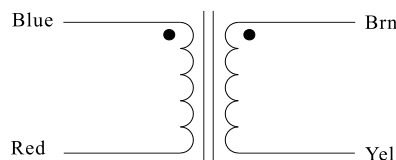
NAME:	TUBE MICROPHONE OUTPUT TRANSFORMER		
CUSTOMER P/N:		DATE:	2022-03-02
SHINHOM P/N:	ATU1165-01	REV: A0	PAGE
DRAWN BY	CHECKED BY	APPROVE BY	



### 1. PHYSICAL CHARACTERISTICS (mm)



### 2. ELECTRONICAL SCHEMATIC



### 3. ELECTRONICAL SPECIFICATIONS

- Turns Ratio: 1:4.55
- Inductance(Blue-Red): 3.75H Ref@100Hz,0.1V
- Inductance(Brn-Yel): 195mH Ref@100Hz,0.1V
- Inductance(Blue-Red): 870mH Ref@1.0KHz,0.1V
- Inductance(Brn-Yel): 42mH Ref@1.0KHz,0.1V
- DCR(Blue-Red):  $24 \Omega \pm 15\%$
- DCR(Brn-Yel):  $2.16 \Omega \pm 15\%$
- Operating Temp Range: 0 °C to 70 °C

Test Instrument:

L: HP4284A  
RDC: HM2540

Note:

- 1.Solderability:leads shall meet MIL-STD-202, Method 208D for solderability.
- 2.Flammability: UL94V-0
- 3.ASTM oxygen index: >28%

NAME:	TUBE MICROPHONE OUTPUT TRANSFORMER		
CUSTOMER P/N:	1154A2-RF EIA-17-1022-2A	DATE:	2022-05-10
SHINHOM P/N:	ATU1165-02	REV: A0	PAGE
DRAWN BY	CHECKED BY	APPROVE BY	

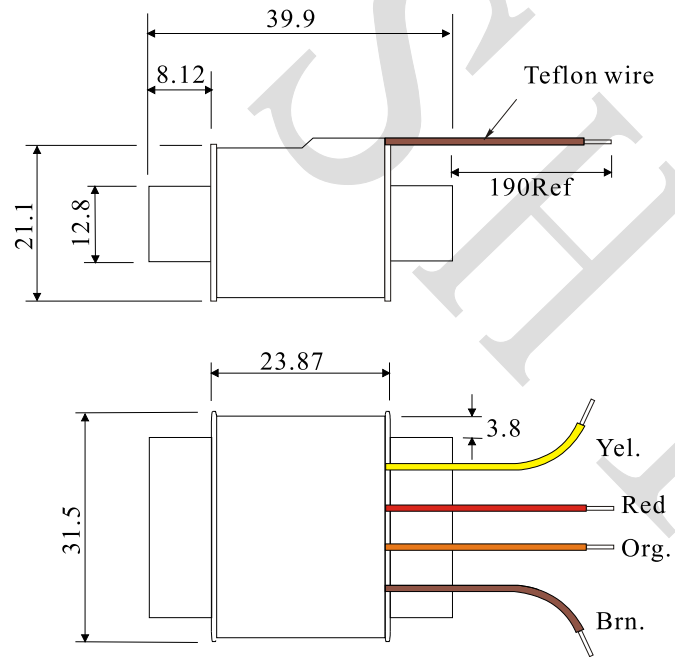


**SHINHOM**  
SHAANXISHINHOM ENTERPRISE CO LTD

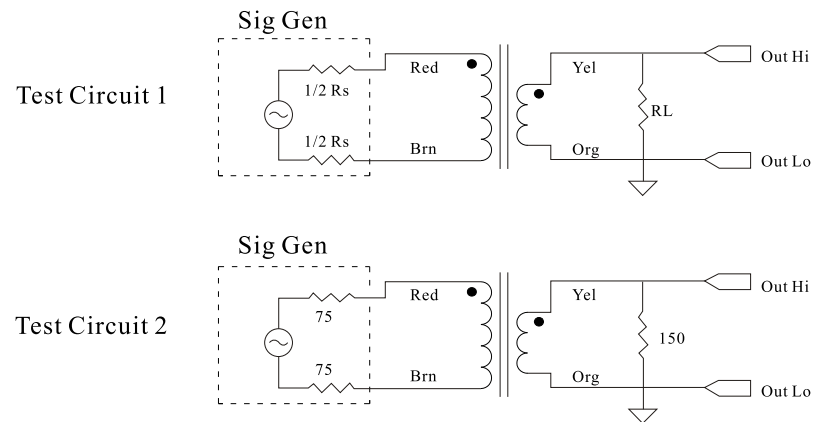
The Document property belong to SHINHOM & is not allowed to be duplicated without authorization



### 1. PHYSICAL CHARACTERISTICS (mm)



### 2. ELECTRONICAL SCHEMATIC



### 3. ELECTRONICAL SPECIFICATIONS

Parameter	Conditions	Typ
Turns Ratio		6.5 : 1
Voltage Gain	1kHz Rs=600 RL=100K	-16.26 dBu
	1kHz Rs=600 RL=200	-19.53 dBu
	1kHz Rs=600 RL=1.5K	-16.77 dBu
	1kHz Rs=2.5K RL=1.5K	-17.09 dBu
	1kHz Rs=5K RL=1.5K	-17.42 dBu
	1kHz Rs=10K RL=1.5K	-18.02 dBu
	1kHz Rs=20K RL=1.5K	-19.13 dBu
Distortion (THD+N%)	1 kHz, +24 dBu, Rs=2.5K RL=150 Test Circuit 1	0.003%
Max 20 Hz input level	0.1% THD+N% Test Circuit 1	+24 dBu
Response, ref 1 kHz	10 Hz Rs=5K RL=150 Test Circuit 1	-0.01 dB
	20 kHz	-0.02 dB
	100 kHz	-2 dB
Phase Shift at 20Hz	Referenced to source generator	+1
Phase Shift at 20 kHz	Rs=5K RL=150 Test Circuit 1	-16
CMRR	60 Hz Test Circuit 2 per IEE Std 389-1996.19	114 dB
	1 kHz	108 dB
	20 kHz	89 dB
Operating Temp Range		0 °C ~70 °C
Capacitance	1 kHz	325pF
Inductance	Red-Brn	787H
	Yel-Org	19.4H
DCR	Red-Brn	1.72kΩ
	Yel-Org	49Ω

NAME:	TUBE MICROPHONE OUTPUT TRANSFORMER		
CUSTOMER P/N:		DATE:	2021-12-21
SHINHOM P/N:	ATU2413-01	REV: A0	PAGE
DRAWN BY	CHECKED BY	APPROVE BY	



**SHINHOM**  
SHAANXISHINHOM ENTERPRISE CO LTD

The Document property belong to SHINHOM & is not allowed to be duplicated without authorization