

# POWER LINE CHOKES

## LFT2312V SERIES



### FEATURES:

- High inductance with low resistance
- High pulse-handling capability
- Approx. 2% stray inductance for symmetrical interference suppression

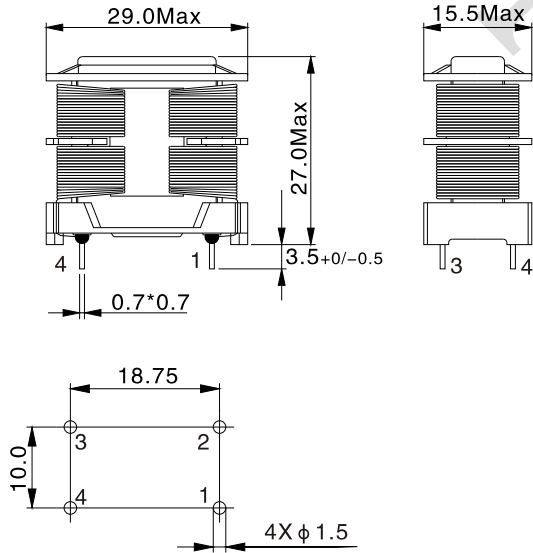
### APPLICATIONS:

- Electronic ballasts for lamps
- Switch-mode power applications
- Suppression of common-mode and differential-mode interferences

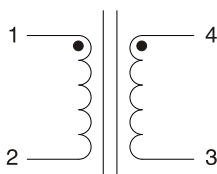
## ELECTRICAL CHARACTERISTICS@25°C

Part Number	Inductance (mH)10KHz,0.1mA +50%/-30%	Lk (uH) typ.	DC Current (A)Max	DCR (mΩ)Max	Test voltage (Vac) line to line
LTF2312V-104Y	100	2100	0.7	1810	2000
LTF2312V-683Y	68	1440	0.9	1100	2000
LTF2312V-473Y	47	970	1.1	804	2000
LTF2312V-393Y	39	800	1.2	696	2000
LTF2312V-273Y	27	550	1.4	440	2000
LTF2312V-153Y	15	310	1.9	279	2000
LTF2312V-103Y	10	210	2.3	188	2000

## PHYSICAL CHARACTERISTICS

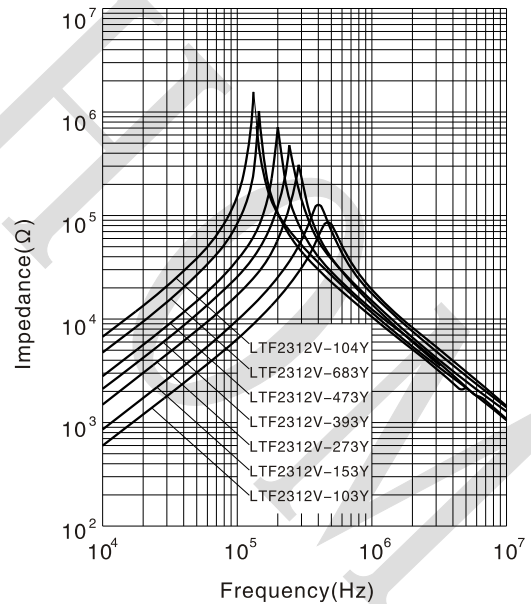


Layout recommendation (top view)



## IMPEDANCE VS FREQUENCY

Measured with windings in parallel at +20°C, typical values



- Rated voltage: 300Vac,50/60Hz
  - Inductance Testing: 10KHz 0.1mA
  - Operating temperature: -40°C to +105°C
  - Storage Temperature: -25°C to +40°C, ≤75%RH
  - Temperature Rise Max:40°C
  - Insulation resistance 100MΩ Min DC 500V
  - Resistance to soldering heat:260°C for 10 seconds
- Note:All specifications subject to change without notice.