

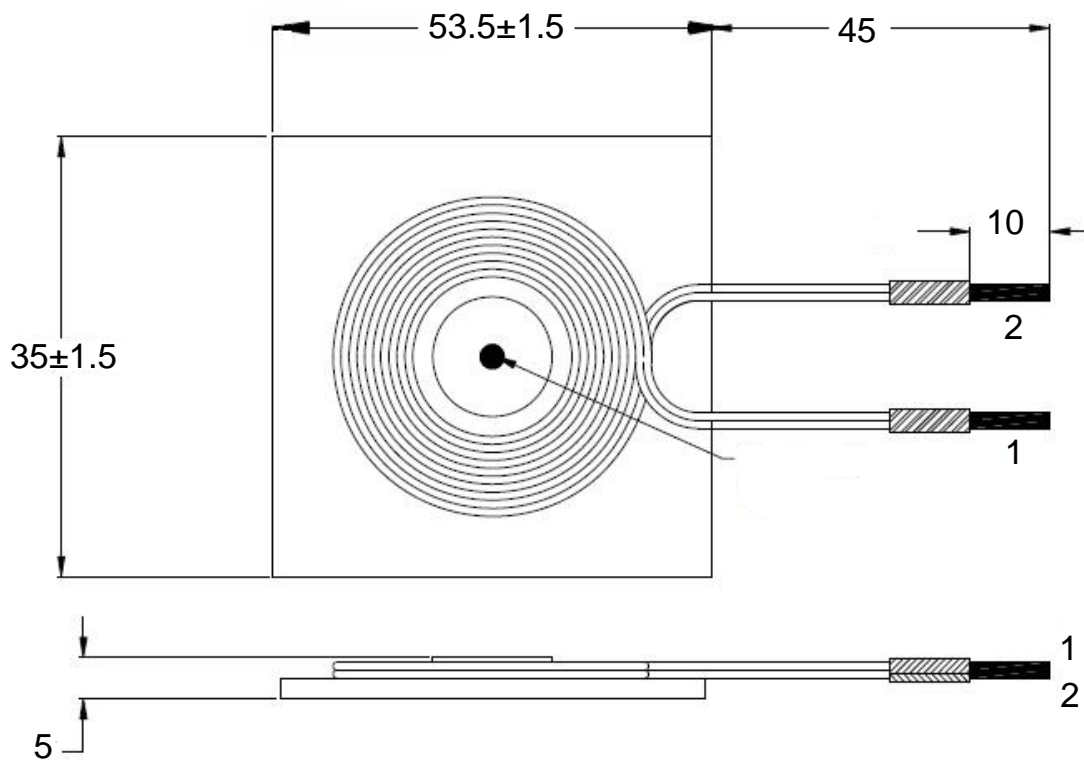
1. Features

1. Wireless Power Consortium (WPC) Type A5 Transmitter Coil
2. 100% Lead(Pb)-Free and RoHS compliant.
3. High Current, Low DCR, High Efficiency.

2. Applications

1. Qi-Certified Smart Phones and other Handhelds
2. Hermetically Sealed Devices and Tools
3. Cars and Other Vehicles
4. Tabletop Charge Surfaces

3. Dimensions



Unit:mm

4. Air coil specification

1. Wire Diameter: ϕ 0.08mm x 105 (Type2 Wire)
2. Coil Turns: 10TS ,2 layer

5. Electrical Specifications

NO.	Parameter	Specification	Test Instrument
1	Inductance	6.3 μ H \pm 10%	K2812 DIGITAL LCR METER or EQUIVALENT (@1kHz 1.0 Vrms)
2	Q Value	80(Typ.)	JK2812 DIGITAL LCR METER or EQUIVALENT (@1kHz 1.0 Vrms)
3	DC Resistance	0.016 Ω (Typ.) (At 25°C)	JK2812 DIGITAL LCR METER or EQUIVALENT (@1kHz 1.0 Vrms)
4	Saturation current	16A(Typ.)	Isat
5	Weight	47g(Typ.)	

6. Temperature Characteristics

NO.	Parameter	Specification
1	Operating Temperature	-30~70°C
2	Storage Temperature	-40~85°C